

HISTORICAL COPY

Form 7301
July 12, 1958.
Supersedes Form 7277.

DO NOT REMOVE

Price List of Parts

No. 36-1

MACHINE.



The Singer Manufacturing Company.

From the library of: Diamond Needle Corp

)
)
1

LIST OF PARTS

No. 36-1

MACHINE.

INDEX.

	PAGE
ACCESSORIES, - - - - -	14
BINDER PARTS, - - - - -	8
COUNTERSHAFT PARTS, - - - - -	13
MACHINE PARTS, - - - - -	4
NUMERICAL LIST OF PARTS, - - - - -	15
POWER TRANSMITTER " - - - - -	12
REMOVABLE MACHINE STOP AND BELT SUPPORT PARTS,	12
TRACK PARTS, - - - - -	8

In ordering from this list, use **ONLY** the **PART** number in the first column.

Each number always indicates the **SAME PART** in whatever list it appears, or for whatever machine.

The letters after some of the numbers indicate the style of finish only, as follows :

- A. Hardened, Polished and Plated.
- B. Polished and Plated.
- C. Hardened only.
- D. Polished “
- E. Soft, not Polished.

These letters **MUST BE USED** *when* they appear in the list, and **AFTER** the number, *as* in the list.

In this series

1 to 1500 are Screw Numbers.

1501 “ 1800 “ Nut “

1801 “ 2000 “ Roller “

2001 and upwards are numbers of Machine Parts.

The figures in the second column refer only to the plates, illustrating the parts, and are **NOT TO BE USED** in ordering.

Parts marked with an asterisk (*) are furnished only when repairs are made at factory.

From the library of: Diamond Needl Corp

PARTS COMPLETE FOR
No. 36-1 MACHINE.
 AUTOMATIC CARPET, FOR POWER, ON TRACK.

No.	Plate.	Name.	Each
12501	1053	Driving Belt Roller.....	1 00
191c	1058	“ “ “ Screw.....	03
8800	1072	“ “ “ Washer.....	06
12502	1053	“ “ “ Support (left) with two 453c.....	2 00
12776	1053	Driving Belt Roller Support (right) with two 453c.....	2 00
453c	1058	Driving Belt Roller Support Set Screw.....	02
12503	1053	“ Wheel.....	2 50
12504	—	“ “ 12503 with 401E, 440c, 12514, 12515, 12517 to 12519, 12759 and two 12516.....	10 00
12505	1052	Feed Disengaging Lever with 791c.....	3 00
12506	1057	“ “ “ Hinge Pin.....	25
12507	1057	“ “ “ Locking Pin.....	10
10195	1057	“ “ “ “ Spring.....	01
12508	1055	“ Eccentric with 465c.....	1 00
12509	1057	“ “ Pin.....	03
465c	1058	“ “ Set Screw.....	01
12675	1052	“ Guide.....	1 00
12676	1052	“ “ Stud (eccentric).....	1 50
12510	1052	“ Lever.....	3 00
729c	1059	“ “ Screw.....	20
12511	1056	“ “ Slide Block.....	50
12512	1056	“ Point.....	50
791c	1058	“ “ Set Screw.....	02
* 12513	—	Frame.....	15 00
12514	1058	Friction Wheel with 440c.....	5 00
12515	1056	“ “ Gib.....	25
12516	1057	“ “ “ Position Pin.....	01
12517	1056	“ “ Latch with 12519.....	1 50
12759	1057	“ “ “ Spring.....	10
12518	1056	“ “ “ Washer.....	20
12519	1057	“ “ “ “ Pin.....	01
401E	1058	“ “ “ “ Screw.....	02
3012	1057	“ “ Pin.....	01
440c	1058	“ “ Set Screw.....	03
12520	1054	Grip Lever.....	3 50
12521	1056	“ “ Lock.....	1 25
12522	1055	“ “ “ Bracket.....	1 50
172c	1058	“ “ “ “ Screw.....	04
208c	1058	“ “ “ Clamping Screw.....	02
171	1058	“ “ “ Regulating Screw.....	03
89c	1059	“ “ “ Screw.....	05
12523	1057	“ “ “ Spring.....	05

No.	Plate.	Name.	Each
12524	1057	Grip Lever Lock Spring Hook.....	01
248A	1058	“ “ Set Screw.....	02
12689	1057	“ “ Spring.....	03
12525	1057	“ “ “ Hook for 12689.....	01
12526	1057	“ “ “ “ “ 12523.....	01
12530	1062	Guide, to sew American Axminster.....	10 00
12527	1062	“ “ “ Brussels.....	10 00
12755	1063	“ “ “ Brussels (turned edge).....	10 00
12748	1063	“ “ “ extra thick serged edge.....	10 00
12746	1062	“ “ “ Imperial Axminster and heavy Wilton.....	10 00
12688	1062	Guide, to sew Ingrain.....	10 00
12790	1063	“ “ “ Matting.....	10 00
12791	1063	“ “ “ “.....	10 00
12792	1063	“ “ “ “.....	10 00
12793	1063	“ “ “ “.....	10 00
12802	1063	“ “ “ “.....	10 00
12803	1063	“ “ “ “.....	10 00
12814	1064	“ “ “ “.....	10 00
12815	1064	“ “ “ “.....	10 00
12804	1064	“ “ “ Moquette (turned edge).....	10 00
12528	1062	“ “ “ “ Velvet & Axminster.....	10 00
12529	1062	“ “ “ serged edge and border on Brussels.....	10 00
12532	1062	Guide, to sew Tapestry.....	10 00
12533	1062	“ “ “ Wilton.....	10 00
12534	1053	“ Holder.....	2 50
12535	1053	“ “ Lock Catch.....	25
229D	1058	“ “ “ “ Screw.....	02
134D	1058	“ “ “ Screw.....	06
12536	1052	Hand Wheel.....	3 00
960B	1058	“ “ Screw.....	03
12537	1055	Locking Cam with 465c.....	50
12538	1057	“ “ Pin.....	01
465c	1058	“ “ Set Screw.....	01
12539	1052	“ Lever with 791c.....	5 00
12540	1056	“ “ Shaft Slide Block.....	50
12541	1056	“ “ Slide Block.....	1 00
12542	1056	“ Point.....	50
791c	1058	“ “ Set Screw.....	02
12543	1056	Looper.....	10
* 12544	—	“ Bracket.....	3 50
146D	1058	“ “ Screw.....	05
2269	1057	“ “ Steady Pin.....	01
12545	1055	“ Cam with 465c.....	4 00
12546	1057	“ “ Pin.....	01
465c	1058	“ “ Set Screw.....	01
12547	1053	“ Lever with 193.....	6 00
12548	1055	“ “ Strap.....	25
12549	1056	“ “ Division Block.....	10
171	1058	“ “ “ “ “ Screw.....	03

No.	Plate.	Name.	Each
12550	1057	Looper Position Point.....	15
233 _B	1058	" " " Screw.....	02
193	1058	" Set Screw.....	03
12750	1054	" Thread Cone Centre (wood).....	05
12756	1054	" " Spool Bracket.....	1 00
161	1058	" " " " Screw.....	04
12751	1054	" " " Clamping Disc.....	40
12752	1054	" " " Post.....	75
1519 _E	1061	" " " " Nut.....	03
12749	1054	" " " Rest Disc.....	25
12557	1053	" " Tension Bracket.....	1 50
2269	1057	" " " " Position Pin.....	01
191	1058	" " " " Screw.....	03
2102	1056	" " " Disc.....	05
1560 _C	1061	" " " Regulating Thumb Nut.....	04
2103	1057	" " " Spring.....	03
956	1061	" " " Stud.....	10
1547	1061	" " " " Lock Nut.....	03
12558	1052	Needle Cam with 445 _C	4 00
3012	1057	" " Pin.....	01
445 _C	1058	" " Set Screw.....	03
200	1058	" Clamping Screw.....	03
12560	1056	" Guide.....	2 00
176	1058	" " Screw.....	03
12561	1052	" Slide.....	2 50
12562	1052	" " Bar.....	15
447 _C	1058	" " " Set Screw.....	03
12564	1056	" " Gib.....	15
12565	1057	" " " Pin.....	01
1876	1058	" " Roller and Screw Stud.....	30
12750	1054	" Thread Cone Centre (wood).....	05
12566	1057	" " Guide.....	10
12757	1054	" " Spool Bracket.....	1 00
161 _D	1058	" " " " Screw.....	04
12751	1054	" " " Clamping Disc.....	40
12752	1054	" " " Post.....	75
1519 _E	1061	" " " " Nut.....	03
12749	1054	" " " Rest Disc.....	25
12568	1056	" " Take-up Block.....	75
792 _C	1058	" " " " Screw.....	03
12569	1056	" " " Eyelet.....	75
402 _D	1058	" " " " Screw.....	02
2102	1056	" " Tension Disc.....	05
1560 _C	1061	" " Regulating Thumb Nut.....	04
2103	1057	" " Spring.....	03
956	1061	" " Stud.....	10
1547	1061	" " " " Lock Nut.....	03
12570	1052	Piler.....	2 25
12747	1052	" to be used only with 12746.....	2 25
12833	1052	" " " " " " 12804.....	2 25

No.	Plate	Name	Each
703 _B	1059	Piler Thumb Screw.....	10
12571	1055	Pull-off.....	1 50
190 _B	1058	" Screw.....	03
12572	1055	Return Belt Roller.....	50
45 _C	1059	" " " Screw.....	12
12573	1053	Roller (lower).....	2 00
12575	1053	" " Stud, left.....	25
12574	1053	" " " right.....	75
191	1058	" " " Screw.....	03
8800	1072	" " " " Washer.....	06
448 _O	1058	" " " Set Screw.....	03
12576	1055	Safety Catch.....	75
12577	1055	" " Bracket.....	1 25
200	1058	" " " Screw.....	03
12578	1057	" " Hinge Pin.....	03
12580	1052	Shaft.....	1 00
12581	1056	Spreader.....	1 00
12582	1055	" Cam with 465 _C	1 00
12583	1057	" " Pin.....	03
465 _C	1058	" " Set Screw.....	01
12584	1053	" Lever.....	1 00
181	1058	" Screw.....	01
12585	1052	Starting Lever.....	50
12583	1057	" " Pin.....	03
12586	1056	" " Trip.....	50
12587	1057	" " " Hinge Pin.....	15
12588	1057	" " " Spring.....	10
12589	1052	Stop Lever.....	3 50
12590	1056	" " Friction Pad (rawhide).....	35
335 _B	1058	" " " " Screw.....	02
12591	1057	" " Hinge Pin.....	10
202	1058	" " Regulating Screw.....	02
12592	1052	" " Spring.....	15
12593	1052	" " " Support Pin.....	15
12594	1055	Tripping Lever.....	2 00
12595	1055	" " Finger.....	1 00
12596	1057	" " " Hinge Pin.....	03
12597	1057	" " " Spring.....	05
236	1058	" " " " Screw.....	02
826	1059	" " Screw.....	15
12598	1057	" " Spring.....	10
193	1058	" " Stop Screw.....	03
12599	1054	Yielding Fork, left.....	1 75
12677	1054	" " right.....	3 50
12678	1054	" " Roller, left.....	1 50
12601	1054	" " " right.....	1 50
12602	1054	" " Spring.....	05
12603	1054	" " Stud, left.....	10
12679	1054	" " " right.....	40
191	1058	" " " " Screw.....	03
12680	1054	" " " " Spring.....	10
8800	1072	" " " " Washer.....	06

PARTS OF BINDER.

No.	Plate	Name	Each
* 12816	1075	Binding Holder Base.....	—
402D	1058	“ “ “ Screw.....	02
12817	1075	“ “ Bracket.....	1 25
* 12818	1075	“ “ Rim.....	—
12819	1075	“ “ Supporting Arm.....	1 00
236	1058	“ “ “ “ Screw.....	02
172	1058	“ “ Screw.....	04
12820	1075	“ “ complete, Nos. 172, 236, 401E, 812B, 1021E, 12816 to 12819, 12821, 12822, two 402B and three 233B.....	15 00
12821	1075	Binding Tension Spring.....	75
12822	1075	“ “ Bracket.....	1 00
401E	1058	“ “ “ “ Ser.(upper).....	02
233B	1058	“ “ “ “ “ (lower).....	02
812B	1061	“ “ “ “ Regulating Screw.....	06
1021E	1061	“ “ “ “ “ “ Nut.....	02
233B	1058	Binding Tension Spring Screw.....	02
12823	—	Binder complete, Nos. 12820 and 12824.....	25 00
12824	1075	Guide for Binding.....	10 00

NOTE.—When ordering No. 12824, send sample of carpet and binding.

PARTS OF TRACK.

SUPPORTED BY LEGS.

No.	Plate	Name	Each
12605	—	Belt..... per foot.....	03
12690	1077	“ Adjusting Bracket with two 795c.....	5 00
967E	1058	“ “ “ “ Screw.....	03
12691	1079	“ “ “ Rod, length 3 feet 7 inches.....	1 00
12692	1077	“ “ “ Pulley, 6½ inches.....	1 50
795c	1058	“ “ “ “ Set Screw.....	06
12811	—	“ Adjuster complete, Nos. 12690, 12700, 12719, 12720, two each 12691, 12692 and three 967E.....	12 50
12770	1072	Belt Coupling Joint Ball.....	—
12771	1072	“ “ “ “ Rivet.....	—
873E	1072	“ “ “ “ Screw.....	10
12772	—	“ “ “ “ complete, includes No. 12771, and two each 873E and 12770.....	40
12773	1072	Belt Coupling Sleeve.....	20
12610	1072	“ “ “ complete, 12772 and two each 12773 and wood screws ¾-in., No. 9.....	75
12693	1078	Brace (long).....	50
12745	1078	“ (short).....	50

Parts of Track.

No.	Plate	Name	Each
12694	1078	Brace Angle (lower).....	30
953E	1060	“ “ “ Bolt, 2½-in. by ½-in., with 1522E.....	08
1522	1061	Brace Angle (lower) Bolt Nut.....	02
12620	1072	“ “ “ “ Washer.....	02
12695	1078	“ “ (upper).....	30
954E	1060	“ “ “ Bolt, 2¼-in. by ½-in., with 1522.....	06
1522	1061	Brace Angle (upper) Bolt Nut.....	02
12813	1072	“ “ “ “ Washer.....	02
492E	1060	“ “ “ Bolt, 2-in. by ½-in., with 1522E, for single brace.....	06
1522E	1061	Brace Angle Bolt Nut.....	02
12620	1072	“ “ “ “ Washer.....	02
783E	1058	“ “ “ “ Screw.....	08
9281	1072	“ “ “ “ Washer.....	01
12696	1076	Carpet Height Guide.....	75
145E	1058	“ “ “ “ Screw.....	04
1528	1061	“ “ “ “ Nut.....	03
12697	1080	Clamping Arm with 12614.....	2 50
12834	1071	“ “ “ Spring.....	10
12614	1057	“ “ “ “ Hook.....	01
12698	1073	“ “ “ “ Jaw (inside).....	2 50
138E	1058	“ “ “ “ “ Screw.....	05
12699	1073	“ “ “ “ (outside).....	2 50
690E	1058	“ “ “ “ “ Screw.....	05
12700	1076	Driving Belt Adjusting Bracket with 611b.....	75
611D	1058	“ “ “ “ “ Adjusting Scr.....	12
819	1059	“ “ “ “ “ Screw Stud.....	30
12705	1076	Feed Rack (end).....	2 25
12706	1076	“ “ (intermediate).....	2 10
430c	1058	“ “ “ “ Adjusting Screw.....	04
1520c	1061	“ “ “ “ “ Nut.....	03
445c	1058	“ “ “ “ “ Set Screw.....	03
12809	1080	Guide Rack (wood) with eleven name plates and twenty-two pins.....	2 00
938E	1059	Guide Rack Bolt, 3-in. by ¼-in., with 1524E.....	03
1524E	1061	“ “ “ “ “ Nut.....	01
7959	1072	“ “ “ “ “ Washer.....	02
12707	1077	Hanger for 12718 with two each 430c, 445c and 1520c.....	6 50
12836	1080	Hanger for 12718 with 12614 and two each 430c, 445c and 1520c for 12698.....	6 50
821E	1060	Hanger Screw.....	15
12708	1077	“ (intermediate) with two each 430c, 445c and 1520c.....	6 00
821E	1060	Hanger (intermediate) Screw.....	15
954E	1060	“ Bolt, 2¼-in. by ½-in., with 1522E.....	06
1522E	1061	“ “ “ “ Nut.....	02
12620	1072	“ “ “ “ Washer.....	02
12709	1077	“ “ “ “ Bracket.....	2 00
12837	1080	“ “ “ “ for 599E.....	2 00

Parts of Track.

No.	Plate.	Name.	Each
12691	1079	Hanger Bracket Stay Bar (intermediate) length 3 feet 7 inches.....	1 00
12742	1079	Hanger Bracket Stay Bar (end) left, length 3 feet 8½ inches.....	1 00
12832	1079	Hanger Bracket Stay Bar (end) right, length 3 feet 9½ inches.....	1 00
12743	1076	Hanger Bracket Stay Bar Coupling with two 795c.....	1 25
12744	1076	Hanger Bracket Stay Bar Coupling Bracket with 795c.....	1 25
822E	1060	Hanger Bracket Stay Bar Coupling Screw..	10
795c	1058	" " " " Set Screw.....	06
12714	1077	Hanging Arm.....	1 25
12715	1077	" " Latch with 12673.....	75
25D	1059	" " Hinge Screw.....	15
12673	1057	" " Pin.....	05
9534	1071	" " Spring.....	06
12716	1072	" " Spur.....	25
12717	1072	" " Holder.....	25
12835	1072	" " " " 12717 with 12716..	50
190E	1058	" " " " Screw.....	03
12718	1078	Leg.....	6 00
12812	1080	" Brace.....	1 25
497E	1060	" " Bolt, ½-in by 1½-in., with 1522E..	05
1522E	1061	" " Nut.....	02
12813	1072	" " Washer.....	02
		" Wood Screw for floor, 2-in. No. 21.....	—
12719	1076	Name Plate with two 448c.....	—
448c	1058	" " Set Screw.....	03
12720	1076	Return Belt Adjusting Bracket with 611c..	75
611D	1058	" " " " Adjusting Screw.....	12
819	1059	Return Belt Adjusting Bracket Screw Stud.	30
12721	1077	Starting Lever with 795c.....	1 25
795c	1058	" " Set Screw.....	06
12722	1073	" " Trip Pawl.....	50
786c	1059	" " " " Hinge Screw....	08
12648	1072	" " " " Spring.....	05
236	1058	" " " " Screw.....	02
12723	1079	" Rod (end) left.....	50
12724	1073	" " " Collar with 363c.....	25
363c	1058	" " " " Set Screw.....	05
12725	1079	" " " right.....	50
12726	1079	" " (intermediate).....	50
12727	1073	" " " Collar with 363c for 12715.....	30
363c	1058	Starting Rod (intermediate) Collar Set Ser.	05
12728	1076	Stop Bracket with 363c, 12641 and two 190D	40
12641	1072	" " Pad (rawhide).....	10
190D	1058	" " " Screw.....	03
12729	1076	" " (for return machine).....	50
145E	1058	" " (" " ") Screw..	04

Parts of Track.

No.	Plate.	Name.	Each
1528	1061	Stop Bracket (for return machine) Scr. Nut	03
12730	1071	" " Pawl.....	15
12643	1071	" " " Spring.....	05
236	1058	" " " " Screw.....	02
784c	1058	" " " " Stud.....	12
12674	1071	" " " Stop Pin.....	01
363c	1058	" " Set Screw for 12728.....	05
12731	1077	Stretching Arm with 453c and 795c.....	2 50
12732	1077	" " Lever.....	75
823c	1059	" " " Hinge Screw.....	25
1608c	1061	" " " " Nut....	05
12733	1073	" " " Link.....	40
824c	1059	" " " " Screw.....	20
1608c	1061	" " " " Nut.....	05
825c	1059	" " " Hinge Screw....	20
1608c	1061	" " " " Nut.....	05
795c	1058	" " Set Screw.....	06
12734	1073	" Clamp (inside).....	1 50
12735	1073	" " " Bracket with 453c..	1 25
138E	1058	" " " " Screw.....	05
12738	1071	" " " Hinge Pin.....	08
453c	1058	" " " " Set Ser..	02
12806	1073	" " " Spring.....	30
12736	1073	" " (outside).....	1 50
12738	1071	" " " Hinge Pin.....	08
453c	1058	" " " " Set Ser..	02
12807	1073	" " " Spring.....	30
159	1058	" " " Stop Screw.....	03
12737	1071	" " " Stud.....	10
12808	1073	" " " Shield.....	10
12754	1080	Tool Tray.....	2 00
599E	1059	" " Bolt, 2¼-in. by ½-in., with 1524E..	02
1524E	1061	" " " Nut.....	01
7959	1072	" " " Washer.....	02
12739	1079	Track Rod (end, upper) left, length 4 feet 7 inches.....	1 00
12825	1079	Track Rod (end, upper) right, length 4 feet 7 inches.....	1 00
12740	1079	Track Rod (intermediate, upper) length 3 feet 7 inches.....	1 00
12826	1079	Track Rod (intermediate, upper) for 12690, length 3 feet 7 inches.....	1 00
966E	1058	Track Rod (upper) Screw, long.....	04
967E	1058	" " " " short.....	03
12827	1079	" " (end, lower) left and right, length 4 feet 7 inches.....	1 00
12828	1079	Track Rod (intermediate, lower) length 3 feet 7 inches.....	1 00
12829	1079	Track Rod (intermediate, lower) for 12690, length 3 feet 7 inches.....	1 00
967E	1058	Track Rod (lower) Screw.....	03

REMOVABLE MACHINE STOP AND BELT SUPPORT PARTS.

No.	Plate.	Name.	Each
12501	1053	Driving Belt Roller.....	1 00
12681	1071	" " " Stud.....	1 00
2049	1071	" " " " Pin.....	01
191c	1058	" " " " Screw.....	03
8800	1072	" " " " Washer.....	06
12682	1075	Stop Stud.....	75
12683	1076	" " Arm.....	5 00
12684	1076	" " " Bracket with two 445c.....	2 00
445c	1058	" " " " Screw.....	03
12685	1071	" " " Hinge Pin.....	25
11120	---	" " Latch Pin complete, Nos. 11121 to 11124.....	55
12686	1076	Stop Stud Latch Bracket.....	3 50
180x	1058	" " " " Screw.....	03
11121	1071	" " " Pin.....	30
11122	1071	" " " Head.....	20
11123	1071	" " " " Pin.....	01
11124	1071	" " " " Spring.....	03
1606c	1061	" " Nut.....	06
12687	---	" complete, Nos. 191c, 1606, 2049, 8800, 11120, 12501, 12681 to 12686, 12830, 12831 and two 180x.....	15 00
12830	1079	Track Rod (lower) length 3 feet 7 inches ..	1 00
967x	1058	" " " Screw.....	03
12831	1079	" " (upper) length 3 feet 7 inches.....	1 00
966x	1058	" " " Screw.....	04

POWER TRANSMITTER PARTS.

No.	Plate.	Name.	Each
12778	1077	Frame with three 968c.....	6 00
968c	1058	" Set Screw.....	08
12779	1077	Gear with 445c and 888c.....	4 50
12780	1077	" Cover.....	2 00
145x	1058	" " Screw.....	04
888c	1058	" Position Screw.....	05
445c	1058	" Set Screw.....	03
12782	1077	Machine Driving Pulley, 8 inches, with 445c and 888c.....	1 60
888c	1058	Machine Driving Pulley Position Screw.....	05
445c	1058	" " " Set Screw.....	03
12784	1075	" " " Shaft.....	1 50
12785	1075	" " " " Bushing (eccentric).....	2 00

Power Transmitter Parts.

13

No.	Plate.	Name.	Each
968c	1058	Machine Driving Pulley Shaft Bushing Set Screw.....	08
12786	1077	Machine Return Pulley, 6½ inches, with 445c and 888c.....	1 50
888c	1058	Machine Return Pulley Position Screw.....	05
445c	1058	" " " Set Screw.....	03
12787	1075	" " " Shaft.....	1 75
12788	1075	Pinion with 445c and 888c.....	3 50
888c	1058	" Position Screw.....	05
445c	1058	" Set Screw.....	03
12789	---	Transmitter complete, includes 12778 to 12780, 12782, 12784 to 12788 and three 145E.....	25 00

COUNTER SHAFT PARTS.

No.	Plate.	Name.	Each
12794	1077	Driving Belt Bracket with three 363c.....	3 25
12795	1075	" " " Shaft.....	3 00
12805	1079	" " " Pulley, 8-in. (grooved, fast) with 909c.....	1 50
12796	1079	Driving Belt Bracket Shaft Pulley, 8-in. (grooved, loose).....	1 50
12797	1078	Driving Belt Bracket Shaft Pulley, 8-in. (flat) with 909c.....	1 00
12798	1078	Driving Belt Bracket Shaft Pulley, 9-in. (flat) with 909c.....	1 15
12799	1078	Driving Belt Bracket Shaft Pulley, 10-in. (flat) with 909c.....	1 40
12810	1078	Driving Belt Bracket Shaft Pulley, 11-in. (flat) with 909c.....	1 45
12800	1078	Driving Belt Bracket Shaft Pulley, 12-in. (flat) with 909c.....	1 50
909c	1058	Driving Belt Bracket Shaft Pulley Set Ser.....	10
524c	1058	" " " " Screw.....	15
14044	1072	" " " " Washer.....	20
363c	1058	" " " Set Screw.....	05
12801	---	Counter Shaft complete, Nos. 524c, 12794 to 12796, 12799, 12805, 14044 and one length of belting 10 feet by 1½ inches, with two hooks.....	11 50

From the library of: Diamond Needle Corp

ACCESSORIES.

No.	Plate.	Name.	Each
8078	1074	Belt Awl	25
12668	1076	" Compressor with three 1-in. No. 10 wood screws	1 00
12669	1076	Belt Compressor Bracket	50
12670	1076	" " Lever	50
12671	1071	" " " Hinge Pin	05
12763	1076	Clamp (stretching) Jaw, left	45
12762	1076	" " " right	45
12761	1071	" " " Hinge Pin	02
12764	1076	" " Link	10
12765	1071	" " " Hinge Pin	02
12766	1071	" " Spring	05
12767	1071	" " " Hook for 12762..	02
12768	1071	" " " " " 12763..	02
12672	—	" " Strap	40
12760	1076	" " " Eyelet	10
12761	1071	" " " Hinge Pin..	02
12769	1076	" " complete, includes 12760, 12762, 12763, 12766 to 12768 and two each 12761, 12764 and 12765	1 75
12774	1057	Gauge for 12512 and 12542	10
25957	1074	Oil Can with spout	12
26346	1074	Pliers, 4-in. (flat nose)	25
11831	1074	Screw Driver (large)	20
26151	1074	" " (small)	10
26131	1074	Tweezers	60
12753	1074	Wrench for 873E	15
19221	1074	" " 611D	15

Numerical List of Parts.

No.	Plate.	Name.	Each
25D	1059	Hanging Arm Latch Hinge Screw (Track)..	15
45c	1059	Return Belt Roller Screw	12
89c	1059	Grip Lever Lock Screw	05
134D	1058	Guide Holder Screw	06
138E	1058	Clamping Jaw (inside) Screw (Track) ..	05
138E	1058	Stretching Clamp (inside) Bracket Screw (Track)	05
145E	1058	Carpet Height Guide Screw (Track)	04
145E	1058	Gear Cover Screw (Power Transmitter) ...	04
145E	1058	Stop Bracket (for return machine) Screw (Track)	04
146D	1058	Looper Bracket Screw	05
159E	1058	Stretching Clamp (outside) Stop Screw (Track)	03
161	1058	Looper Thread Spool Bracket Screw	04
161D	1058	Needle " " " "	04
171	1058	Grip Lever Lock Regulating Screw	03
171	1058	Looper Lever Strap Division Block Screw..	03
172	1058	Binding Holder Screw	04
172c	1058	Grip Lever Lock Bracket Screw	04
176	1058	Needle Guide Screw	03
180E	1058	Stop Stud Latch Bracket Screw (Removable Machine Stop and Belt Support)	03
181	1058	Spreader Screw	01
190E	1058	Hanging Arm Spur Holder Screw (Track)..	03
190D	1058	Pull-off Screw	03
190D	1058	Stop Bracket Pad Screw (Track)	03
191c	1058	Driving Belt Roller Screw	03
191c	1058	" " " Stud Screw (Removable Machine Stop and Belt Support)	03
191	1058	Looper Thread Tension Bracket Screw ...	03
191	1058	Roller (lower) Stud Screw	03
191	1058	Yielding Fork Stud (right) Screw	03
193	1058	Looper Set Screw	03
193	1058	Tripping Lever Stop Screw	03
200	1058	Needle Clamping Screw	03
200	1058	Safety Catch Bracket Screw	03
202	1058	Stop Lever Regulating Screw	02
208c	1058	Grip Lever Lock Clamping Screw	02
229D	1058	Guide Holder Lock Catch Screw	02
233B	1058	Binding Tension Spring Bracket Screw (lower)	02
233B	1058	Binding Tension Spring Screw	02
233B	1058	Looper Position Point Screw	02
236	1058	Binding Holder Rim Supporting Arm Screw	02
236	1058	Starting Lever Trip Pawl Spring Screw (Track)	02
236	1058	Stop Bracket Pawl Spring Screw (Track)..	02
236	1058	Tripping Lever Finger Spring Screw	02

From the library of: Diamond Needle Corp

No. Plate.	Name.	Each
248A 1058	Grip Lever Set Screw	02
335B 1058	Stop Lever Friction Pad Screw	02
363C 1058	Driving Belt Bracket Set Screw (Counter Shaft).....	05
363C 1058	Starting Rod (end) Collar Set Scr. (Track).	05
363C 1058	“ “ (intermediate) Collar Set Scr. (Track).....	05
363C 1058	Stop Bracket Set Screw for 12728.....	05
401E 1058	Binding Tension Spring Bracket Scr. (upper)	02
401E 1058	Friction Wheel Latch Washer Screw.....	02
402D 1058	Binding Holder Base Screw.....	02
402D 1058	Needle Thread Take-up Eyelet Screw.....	02
430C 1058	Feed Rack Adjusting Screw (Track).....	04
440C 1058	Friction Wheel Set Screw.....	03
445C 1058	Feed Rack Set Screw (Track).....	03
445C 1058	Gear Set Screw (Power Transmitter).....	03
445C 1058	Machine Driving Pulley Set Screw (Power Transmitter).....	03
445C 1058	Machine Return Pulley Set Screw (Power Transmitter).....	03
445C 1058	Needle Cam Set Screw	03
445C 1058	Pinion Set Screw (Power Transmitter).....	03
445C 1058	Stop Stud Arm Bracket Screw (Removable Machine Stop and Belt Support).....	03
447C 1058	Needle Slide Bar Set Screw.....	03
448C 1058	Name Plate Set Screw (Track).....	03
448C 1058	Roller (lower) Stud Set Screw.....	03
453C 1058	Driving Belt Roller Support Set Screw	02
453C 1058	Stretching Clamp (inside) Hinge Pin Set Screw (Track)	02
453C 1058	Stretching Clamp (outside) Hinge Pin Set Screw (Track)	02
465C 1058	Feed Eccentric Set Screw	01
465C 1058	Locking Cam Set Screw	01
465C 1058	Looper “ “ “	01
465C 1058	Spreader “ “ “	01
492E 1060	Brace Angle Bolt, 2-in. by ½-in., with 1522E, for single brace (Track)	06
497E 1060	Leg Brace Bolt, ½-in. by 1½-in., with 1522E (Track).....	05
524C 1058	Driving Belt Bracket Shaft Screw (Counter Shaft)	15
599E 1059	Tool Tray Bolt, 2½-in. by ¼-in., with 1524E (Track).....	02
611D 1058	Driving Belt Adjusting Bracket Adjusting Screw (Track).....	12
611D 1058	Return Belt Adjusting Bracket Adjusting Screw (Track).....	12
690E 1058	Clamping Jaw (outside) Screw (Track)....	05
703B 1059	Piler Thumb Screw.....	10
729C 1059	Feed Lever Screw.....	20
788E 1058	Brace Screw (Track).....	08

No. Plate.	Name.	Each
784C 1058	Stop Bracket Pawl Spring Screw Stud (Track).....	12
786C 1059	Starting Lever Trip Pawl Hinge Screw (Track).....	08
791C 1058	Feed Point Set Screw	02
791C 1058	Locking Point Set Screw.....	02
792C 1058	Needle Thread Take-up Block Screw.....	03
795C 1058	Belt Adjusting Rod Set Screw (Track)....	06
795C 1058	Hanger Bracket Stay Bar Set Screw (Track)	06
795C 1058	Starting Lever Set Screw (Track).....	06
795C 1058	Stretching Arm Set Screw “	06
812B 1061	Binding Tension Spring Regulating Screw.	06
819C 1059	Driving Belt Adjusting Bracket Screw Stud (Track)	30
819C 1059	Return Belt Adjusting Bracket Screw Stud (Track)	30
821E 1060	Hanger Screw (Track)	15
821E 1060	“ (intermediate) Screw (Track).....	15
822E 1060	“ Bracket Stay Bar Coupling Screw (Track)	10
823C 1059	Stretching Arm Lever Hinge Screw (Track)	25
824C 1059	“ “ “ Link “ (Track)	20
825C 1059	“ “ “ “ Hinge Screw (Track).....	20
826 1059	Tripping Lever Screw	15
873E 1072	Belt Coupling Joint Screw (Track).....	10
888C 1058	Gear Position Screw (Power Transmitter).	05
888C 1058	Machine Driving Pulley Position Screw (Power Transmitter)	05
888C 1058	Machine Return Pulley Position Screw (Power Transmitter)	05
888C 1058	Pinion Position Screw (Power Transmitter)	05
909C 1058	Driving Belt Bracket Shaft Pulley Set Screw (Counter Shaft)	10
938E 1059	Guide Rack Bolt, 3-in. by ¼-in., with 1524E (Track).....	03
953E 1060	Brace Angle (lower) Bolt, 2¾-in. by ½-in., with 1522E (Track).....	03
954E 1060	Brace Angle (upper) Bolt, 2¼-in. by ½-in., with 1522E (Track).....	06
954E 1060	Hanger Bolt, 2¼-in. by ½-in., with 1522E (Track).....	06
956 1061	Looper Thread Tension Stud.....	10
956 1061	Needle “ “ “	10
960B 1058	Hand Wheel Screw	03
966E 1058	Track Rod (upper) Screw (Removable Machine Stop and Belt Support)	04
966E 1058	Track Rod (upper) Screw, long (Track)....	04
967E 1058	Belt Adjusting Bracket Screw (Track).....	03
967E 1058	Track Rod (lower) Screw (Track and Removable Machine Stop and Belt Support)	03
967E 1058	Track Rod (upper) Screw, short (Track)...	03

Firm's library of maintenance tools

Numerical List of Parts.

No. Plate.	Name.	Each
968c 1058	Frame Set Screw (Power Transmitter)....	08
968c 1058	Machine Driving Pulley Shaft Bushing Set Screw (Power Transmitter).....	08
1519E 1061	Looper Thread Spool Post Nut.....	03
1519E 1061	Needle " " " ".....	03
1520c 1061	Feed Rack Adjusting Screw Nut (Track)..	03
1522E 1061	Brace Angle (lower) Bolt Nut (Track).....	02
1522 1061	" " (upper) " " " ".....	02
1522E 1061	" " Bolt Nut (Track).....	02
1522E 1061	Hanger Bolt Nut (Track).....	02
1522E 1061	Leg Brace Bolt Nut (Track).....	02
1524E 1061	Guide Rack Bolt Nut (Track).....	01
1524R 1061	Tool Tray Bolt Nut (Track).....	01
1528 1061	Carpet Height Guide Screw Nut (Track)..	03
1528 1061	Stop Bracket (for return machine) Screw Nut (Track).....	03
1547 1061	Looper Thread Tension Stud Lock Nut....	03
1547 1061	Needle " " " ".....	03
1560c 1061	Looper " " Regulating Thumb Nut.....	04
1560c 1061	Needle Thread Tension Regulating Thumb Nut.....	04
1606c 1061	Stop Stud Nut (Removable Machine Stop and Belt Support).....	06
1608c 1061	Stretching Arm Lever Hinge Screw Nut (Track).....	05
1608c 1061	Stretching Arm Lever Link Screw Nut (Track).....	05
1608c 1061	Stretching Arm Lever Link Hinge Screw Nut (Track).....	05
1621E 1061	Binding Tension Spring Regulating Screw Nut.....	02
1876 1058	Needle Slide Roller and Screw Stud.....	30
2049 1071	Driving Belt Roller Stud Pin (Removable Machine Stop and Belt Support).....	01
2102 1056	Looper Thread Tension Disc.....	05
2102 1056	Needle " " " ".....	05
2103 1057	Looper " " Spring.....	03
2103 1057	Needle " " " ".....	03
2269 1057	Looper Bracket Steady Pin.....	01
2269 1057	" Thread Tension Bracket Position Pin.....	01
3012 1057	Friction Wheel Pin.....	01
3012 1057	Needle Cam Pin.....	01
7959 1072	Guide Rack Bolt Washer (Track).....	02
7959 1072	Tool Tray Bolt Washer (Track).....	02
8078 1074	Belt Awl.....	25
8800 1072	Driving Belt Roller Screw Washer.....	06
8800 1072	" " " Stud " (Remov- able Machine Stop and Belt Support)....	06
8800 1072	Roller (lower) Stud Screw Washer.....	06
8800 1072	Yielding Fork Stud (right) Washer.....	06

Numerical List of Parts.

No. Plate.	Name.	Each
9281 1072	Brace Screw Washer (Track).....	01
9534 1071	Hanging Arm Latch Spring (Track).....	06
10195 1057	Feed Disengaging Lever Locking Pin Spring	01
11120	Stop Stud Latch Pin complete, Nos. 11121 to 11124 (Removable Machine Stop and Belt Support).....	55
11121 1071	Stop Stud Latch Pin (Removable Machine Stop and Belt Support).....	30
11122 1071	Stop Stud Latch Pin Head (Removable Ma- chine Stop and Belt Support).....	20
11123 1071	Stop Stud Latch Pin Head Pin (Removable Machine Stop and Belt Support).....	01
11124 1071	Stop Stud Latch Pin Spring (Removable Machine Stop and Belt Support).....	03
11831 1074	Screw Driver (large).....	20
12501 1053	Driving Belt Roller.....	1 00
12502 1053	" " " Support (left) with two 453c.....	2 00
12503 1053	Driving Wheel.....	2 50
12504	" " 12503 with 401E, 440c, 12514, 12515, 12517 to 12519, 12759 and two 12516	10 00
12505 1052	Feed Disengaging Lever with 791c.....	3 00
12506 1057	" " " Hinge Pin.....	25
12507 1057	" " " Locking Pin.....	10
12508 1055	" Eccentric with 465c.....	1 00
12509 1057	" " Pin.....	03
12510 1052	" Lever.....	3 00
12511 1056	" " Slide Block.....	50
12512 1056	" Point.....	50
* 12513	Frame.....	15 00
12514 1053	Friction Wheel with 440c.....	5 00
12515 1056	" " Gib.....	25
12516 1057	" " " Position Pin.....	01
12517 1056	" " Latch with 12519.....	1 50
12518 1056	" " " Washer.....	29
12519 1057	" " " Pin.....	01
12520 1054	Grip Lever.....	3 50
12521 1056	" " Lock.....	1 25
12522 1055	" " " Bracket.....	1 50
12523 1057	" " " Spring.....	05
12524 1057	" " " Hook.....	01
12525 1057	" " Spring Hook for 12689.....	01
12526 1057	" " " " 12523.....	01
12527 1062	Guide, to sew Brussels.....	10 00
12528 1062	" " " Moquette, Velvet and Ax- minster.....	10 00
12529 1062	Guide, to sew serged edge and border on Brussels.....	10 00
12530 1062	Guide, to sew American Axminster.....	10 00
12532 1062	" " " Tapestry.....	10 00
12533 1062	" " " Wilton.....	10 00
12534 1053	" Holder.....	2 50
12535 1053	" " Lock Catch.....	25

Numerical List of Parts.

No.	Plate.	Name.	Each
12536	1052	Hand Wheel.....	3 00
12537	1055	Locking Cam with 465c.....	50
12538	1057	" " Pin.....	01
12539	1052	" Lever with 791c.....	5 00
12540	1056	" " Shaft Slide Block.....	50
12541	1056	" " Slide Block.....	1 00
12542	1056	" Point.....	50
12543	1056	Looper.....	10
* 12544	—	" Bracket.....	3 50
12545	1055	" Cam with 465c.....	4 00
12546	1057	" " Pin.....	01
12547	1053	" Lever with 193.....	6 00
12548	1055	" " Strap.....	25
12549	1056	" " Division Block.....	10
12550	1057	" Position Point.....	15
12557	1053	" Thread Tension Bracket.....	1 50
12558	1052	Needle Cam with 445c.....	4 00
12560	1056	" Guide.....	2 00
12561	1052	" Slide.....	2 50
12562	1052	" " Bar.....	15
12564	1056	" " Gib.....	15
12565	1057	" " Pin.....	01
12566	1057	" Thread Guide.....	10
12568	1056	" " Take-up Block.....	75
12569	1056	" " " Eyelet.....	75
12570	1052	Piler.....	2 25
12571	1055	Pull-off.....	1 50
12572	1055	Return Belt Roller.....	50
12573	1053	Roller (lower).....	2 00
12574	1053	" " Stud, right.....	75
12575	1053	" " " left.....	25
12576	1055	Safety Catch.....	75
12577	1055	" " Bracket.....	1 25
12578	1057	" " Hinge Pin.....	03
12580	1052	Shaft.....	1 00
12581	1056	Spreader.....	2 00
12582	1055	" Cam with 465c.....	4 00
12583	1057	" " Pin.....	03
12583	1057	Starting Lever Pin.....	03
12584	1053	Spreader Lever.....	4 00
12585	1052	Starting Lever.....	1 50
12586	1056	" " Trip.....	50
12587	1057	" " " Hinge Pin.....	15
12588	1057	" " " Spring.....	10
12589	1052	Stop Lever.....	3 50
12590	1056	" " Friction Pad (rawhide).....	35
12591	1057	" " Hinge Pin.....	10
12592	1052	" " Spring.....	15
12593	1052	" " " Support Pin.....	15
12594	1055	Tripping Lever.....	2 00
12595	1055	" " Finger.....	1 00
12596	1057	" " " Hinge Pin.....	03

Numerical List of Parts.

No.	Plate	Name	Each
12597	1057	Tripping Lever Finger Spring.....	05
12598	1057	" " Spring.....	10
12599	1054	Yielding Fork, left.....	1 75
12601	1054	" " Roller, right.....	1 50
12602	1054	" " Spring.....	05
12603	1054	" " Stud, left.....	10
12605	—	Belt (Track)..... per foot..	03
12610	1072	Belt Coupling complete, 12772 and two each 12773 and wood screws $\frac{3}{4}$ -in., No. 9 (Track).....	75
12614	1057	Clamping Arm Spring Hook (Track).....	01
12620	1072	Brace Angle (lower) Bolt Washer (Track)...	02
12620	1072	" " Bolt Washer (Track).....	02
12620	1072	Hanger Bolt Washer (Track).....	02
12641	1072	Stop Bracket Pad, rawhide (Track).....	10
12643	1071	" " Pawl Spring (Track).....	05
12648	1072	Starting Lever Trip Pawl Spring (Track)....	05
12668	1076	Belt Compressor with three 1-in. No. 10 wood screws.....	1 00
12669	1076	Belt Compressor Bracket.....	50
12670	1076	" " Lever.....	50
12671	1071	" " " Hinge Pin.....	05
12672	—	Clamp (stretching) Strap.....	40
12673	1057	Hanging Arm Latch Pin (Track).....	05
12674	1071	Stop Bracket Pawl Stop Pin (Track) ...	01
12675	1052	Feed Guide.....	1 00
12676	1052	" " Stud (eccentric).....	50
12677	1054	Yielding Fork, right.....	3 50
12678	1054	" " Roller, left.....	1 50
12679	1054	" " Stud, right.....	40
12680	1054	" " " Spring.....	10
12681	1071	Driving Belt Roller Stud (Removable Ma- chine Stop and Belt Support).....	00
12682	1075	Stop Stud (Removable Machine Stop and Belt Support).....	75
12683	1076	Stop Stud Arm (Removable Machine Stop and Belt Support).....	5 00
12684	1076	Stop Stud Arm Bracket with two 445c (Re- movable Machine Stop and Belt Support)...	2 00
12685	1071	Stop Stud Arm Hinge Pin (Removable Ma- chine Stop and Belt Support).....	25
12686	1076	Stop Stud Latch Bracket (Removable Ma- chine Stop and Belt Support).....	3 50
12687	—	Stop complete, Nos 191c, 1606, 2049, 8800, 11120, 12501, 12681 to 12686, 12830, 12831 and two 180c.....	15 00
12688	1062	Guide, to sew Ingrain.....	10 00
12689	1057	Grip Lever Spring.....	03
12690	1077	Belt Adjusting Bracket with two 795c (Track)	5 00
12691	1079	" " Rod length 3 feet 7 inches (Track)	1 00
12691	1079	Hanger Bracket Stay Bar (intermediate) length 3 feet 7 inches (Track).....	1 00
12692	1077	Belt Adjusting Rod Pulley, 6 $\frac{1}{2}$ inches (Track)	1 50

No.	Plate	Name	Each
12693	1078	Brace, long (Track)	50
12694	1078	" Angle, lower (Track).....	30
12695	1078	" " upper "	30
12696	1076	Carpet Height Guide (Track).....	75
12697	1080	Clamping Arm with 12614 (Track).....	2 50
12698	1073	" Jaw, inside (Track).....	2 50
12699	1073	" " outside "	2 50
12700	1076	Driving Belt Adjusting Bracket with 611b (Track).....	75
12705	1076	Feed Rack, end (Track)	2 25
12706	1076	" " (intermediate) (Track).....	2 10
12707	1077	Hanger for 12718 with two each 430c, 445c and 1520c (Track).....	6 50
12708	1077	Hanger (intermediate) with two each 430c, 445c and 1520c (Track)	6 00
12709	1077	Hanger Bracket "	2 00
12714	1077	Hanging Arm "	1 25
12715	1077	" " Latch with 12673 (Track)...	75
12716	1072	" " Spur (Track).....	25
12717	1072	" " " Holder (Track).....	25
12718	1078	Leg (Track).....	6 00
12719	1076	Name Plate with two 448c (Track).....	—
12720	1076	Return Belt Adjusting Bracket with 611b (Track).....	75
12721	1077	Starting Lever with 795c (Track).....	1 25
12722	1073	" " Trip Pawl "	50
12723	1079	" Rod (end) left "	50
12724	1073	" " " Collar with 363c (Track)	25
12725	1079	" " " right (Track).....	50
12726	1079	" " (intermediate) (Track).....	50
12727	1073	" " " Collar with 363c for 12715 (Track).....	30
12728	1076	Stop Bracket with 363c, 12611 and two 490b (Track).....	40
12729	1076	Stop Bracket for return machine (Track)...	50
12730	1071	" " Pawl (Track)	15
12731	1077	Stretching Arm with 453c and 795c (Track)	2 50
12732	1077	" " Lever (Track).....	75
12733	1073	" " " Link (Track).....	40
12734	1073	" Clamp, inside (Track)	1 50
12735	1073	" " Bracket with 453c (Track).....	1 25
12736	1073	Stretching Clamp, outside (Track).....	1 50
12737	1071	" " " Stop Stud (Track)	10
12738	1071	" " (inside) Hinge Pin (Track).....	08
12738	1071	Stretching Clamp (outside) Hinge Pin (Track).....	08
12739	1079	Track Rod (end, upper) left, length 4 feet 7 inches (Track).....	1 00
12740	1079	Track Rod (intermediate, upper) length 3 feet 7 inches (Track).....	1 00

No.	Plate	Name	Each
12742	1079	Hanger Bracket Stay Bar (end) left, length 3 feet 8 1/2 inches (Track).....	1 00
12743	1076	Hanger Bracket Stay Bar Coupling with two 795c (Track)	1 25
12744	1076	Hanger Bracket Stay Bar Coupling Bracket with 795c (Track).....	1 25
12745	1078	Brace, short (Track).....	50
12746	1062	Guide, to sew Imperial Axminster and heavy Wilton	10 00
12747	1052	Piler, to be used only with 12746	2 25
12748	1063	Guide, to sew extra thick serged edge.....	10 00
12749	1054	Looper Thread Spool Rest Disc.....	25
12749	1054	Needle " " " "	25
12750	1054	Looper " Cone Centre (wood).....	05
12750	1054	Needle " " " "	05
12751	1054	Looper " Spool Clamping Disc.....	40
12751	1054	Needle " " " "	40
12752	1054	Looper " " Post.....	75
12752	1054	Needle " " " "	75
12753	1074	Wrench for 873e	15
12754	1080	Tool Tray (Track)	2 00
12755	1063	Guide, to sew Brussels (turned edge).....	10 00
12756	1054	Looper Thread Spool Bracket	1 00
12757	1054	Needle " " " "	1 00
12759	1057	Friction Wheel Latch Spring	10
12760	1076	Clamp (stretching) Strap Eyelet.....	10
12761	1071	" " " " Hinge Pin... ..	02
12761	1071	" " " " Jaw Hinge Pin... ..	02
12762	1076	" " " right.....	45
12763	1076	" " " left.....	45
12764	1076	" " " Link	40
12765	1071	" " " Hinge Pin.....	02
12766	1071	" " " Spring	05
12767	1071	" " " Hook for 12762 ..	02
12768	1071	" " " " " 12763... ..	02
12769	1076	Clamp (stretching) complete, includes 12760, 12762, 12763, 12766 to 12768 and two each 12761, 12764 and 12765.....	1 75
12770	1072	Belt Coupling Joint Ball (Track)	—
12771	1072	" " " " Rivet (Track).....	—
12772	—	" " " " complete, includes No. 12771 and two each 873e and 12770 (Track).....	40
12773	1072	Belt Coupling Sleeve (Track).....	20
12774	1057	Gauge for 12512 and 12542.....	10
12776	1053	Driving Belt Roller Support (right) with two 453c	2 00
12778	1077	Frame with three 968c (Power Transmitter).....	6 00
12779	1077	Gear with 445c and 888c " "	4 50
12780	1077	" Cover (Power Transmitter).....	2 00
12782	1077	Machine Driving Pulley, 8-in., with 445c and 888c (Power Transmitter).....	1 60

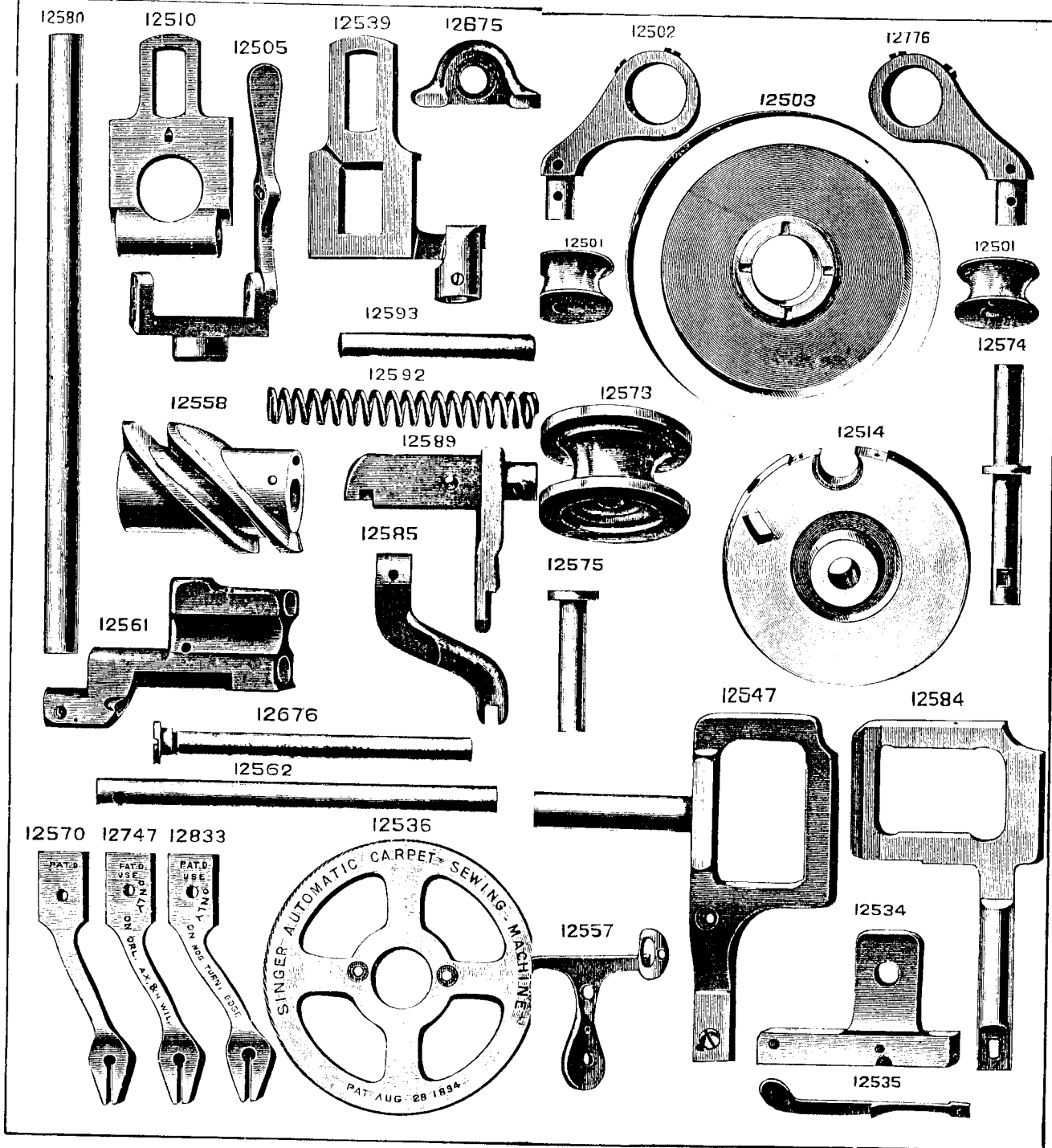
No.	Plate	Name	Each
12784	1075	Machine Driving Pulley Shaft (Power Transmitter)	1
12785	1075	Machine Driving Pulley Shaft Bushing, eccentric (Power Transmitter)	2
12786	1077	Machine Return Pulley, 6½-inches, with 445c and 888c (Power Transmitter)	1
12787	1075	Machine Return Pulley Shaft (Power Transmitter)	1
12788	1075	Pinion with 445c and 888c (Power Transmitter)	8
12789	—	Transmitter complete, includes 12778 to 12780, 12782, 12784 to 12788 and three 145E	25
12790	1063	Guide, to sew Matting	10
12791	1063	" " " "	10
12792	1063	" " " "	10
12793	1063	" " " "	10
12794	1077	Driving Belt Bracket with three 368c (Counter Shaft)	8
12795	1075	Driving Belt Bracket Shaft (Counter Shaft)	8
12796	1079	" " " " Pulley, 8-in., grooved, loose (Counter Shaft)	1
12797	1078	Driving Belt Bracket Shaft Pulley, 8-in., flat, with 909c (Counter Shaft)	1
12798	1078	Driving Belt Bracket Shaft Pulley, 9-in., flat, with 909c (Counter Shaft)	1
12799	1078	Driving Belt Bracket Shaft Pulley, 10-in., flat, with 909c (Counter Shaft)	1
12800	1078	Driving Belt Bracket Shaft Pulley, 12-in., flat, with 909c (Counter Shaft)	1
12801	—	Counter Shaft complete, Nos 524c, 12794 to 12796, 12799, 12805, 14044 and one length of belting 10 feet by 1½-inches, with two hooks	11
12802	1063	Guide, to sew Matting	10
12803	1063	" " " "	10
12804	1064	" " " Moquette (turned edge)	10
12805	1079	Driving Belt Bracket Shaft Pulley, 8-in., grooved, fast, with 909c (Counter Shaft)	1
12806	1073	Stretching Clamp (inside) Spring (Track)	1
12807	1073	" " (outside) "	1
12808	1073	" " Shield (Track)	1
12809	1089	Guide Rack (wood) with eleven name plates and twenty-two pins (Track)	2
12810	1078	Driving Belt Bracket Shaft Pulley, 11-in., flat, with 909c (Counter Shaft)	1
12811	—	Belt Adjuster complete, Nos 12690, 12700, 12719, 12720, two each 12691 and 12692 and three 967E (Track)	12
12812	1080	Leg Brace (Track)	1
12813	1072	" " Bolt Washer (Track)	1
12813	1072	Brace Angle (upper) Bolt Washer (Track)	1
12814	1064	Guide, to sew Matting	10

No.	Plate.	Name	Each
12815	1064	Guide, to sew Matting	10 00
12816	1075	Binding Holder Base	—
12817	1075	" " Bracket	1 25
12818	1075	" " Rim	—
12819	1075	" " " Supporting Arm	1 00
12820	1075	" " complete, Nos. 172, 236, 401E, 812E, 1621E, 12816 to 12819, 12821, 12822, two 402B and three 233B	15 00
12821	1075	Binding Tension Spring	75
12822	1075	" " " Bracket	1 00
12823	—	Binder complete, Nos. 12820 and 12824	25 00
12824	1075	Guide for Binding	10 00
12825	1079	Track Rod (end, upper) right, length 4 feet 7 inches (Track)	1 00
12826	1079	Track Rod (intermediate, upper) for 12690, length 3 feet 7 inches (Track)	1 00
12827	1079	Track Rod (end, lower) left and right, length 4 feet 7 inches (Track)	1 00
12828	1079	Track Rod (intermediate, lower) length 3 feet 7 inches (Track)	1 00
12829	1079	Track Rod (intermediate, lower) for 12690, length 3 feet 7 inches (Track)	1 00
12830	1079	Track Rod (lower), length 3 feet 7 inches (Removable Machine Stop and Belt Support)	1 00
12831	1079	Track Rod (upper), length 3 feet 7 inches (Removable Machine Stop and Belt Support)	1 00
12832	1079	Hanger Bracket Stay Bar (end) right, length 3 feet 9½ inches (Track)	1 00
12833	1052	Piler, to be used only with 12804	2 25
12834	1071	Clamping Arm Spring (Track)	10
12835	1072	Hanging Arm Spur Holder 12717 with 12716	50
12836	1080	Hanger for 12718 with 12614 and two each 439c, 445c and 1520, for 12698 (Track)	6 50
12837	1080	Hanger Bracket for 599E	2 00
14044	1072	Driving Belt Bracket Shaft Screw Washer (Counter Shaft)	20
19221	1074	Wrench for 611D	15
25957	1074	Oil Can with spout	12
26131	1074	Tweezers	60
26151	1074	Screw Driver, small	10
26346	1074	Pliers, 4-in., flat nose	25

THE SINGER MANUFACTURING Co. use and recommend exclusively the **WILLIMANTIC SPOOL COTTON.**

PLATE 1052—ONE-HALF SIZE

PLATE 1053—ONE-HALF SIZE



From the library of: Diamond Needle Corp

PLATE 1054—ONE-HALF SIZE

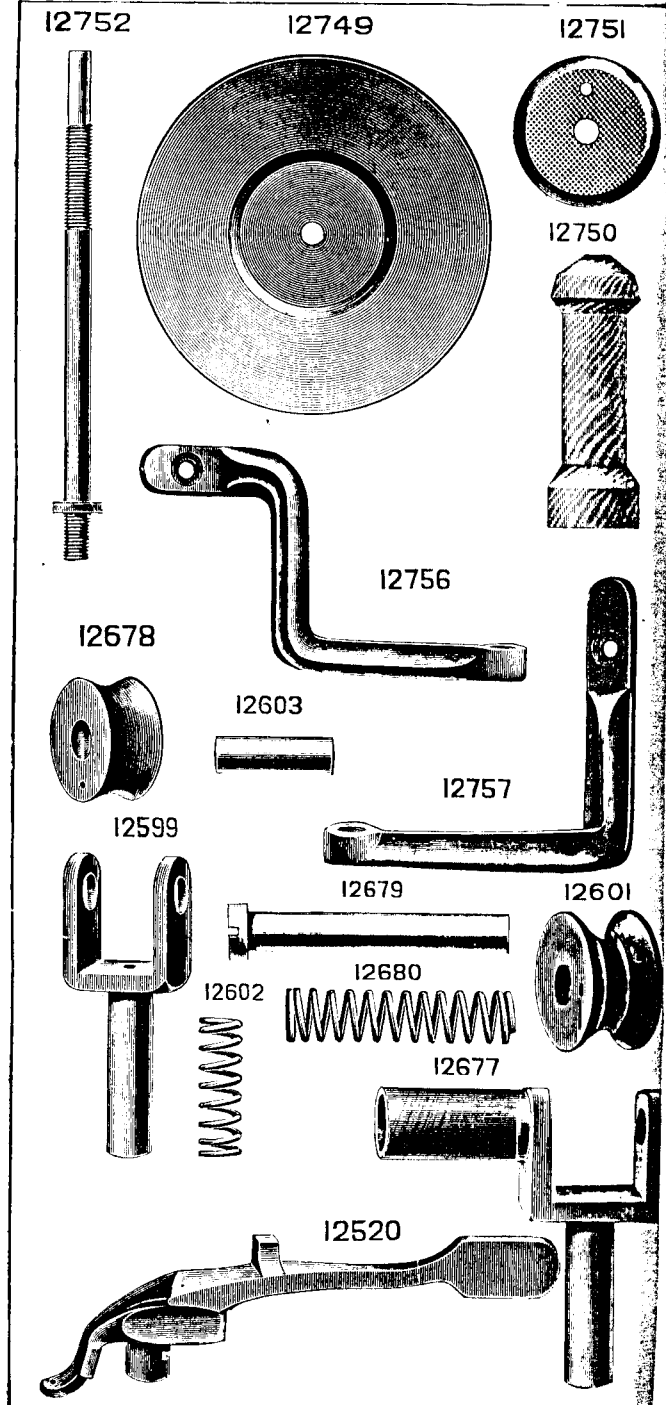
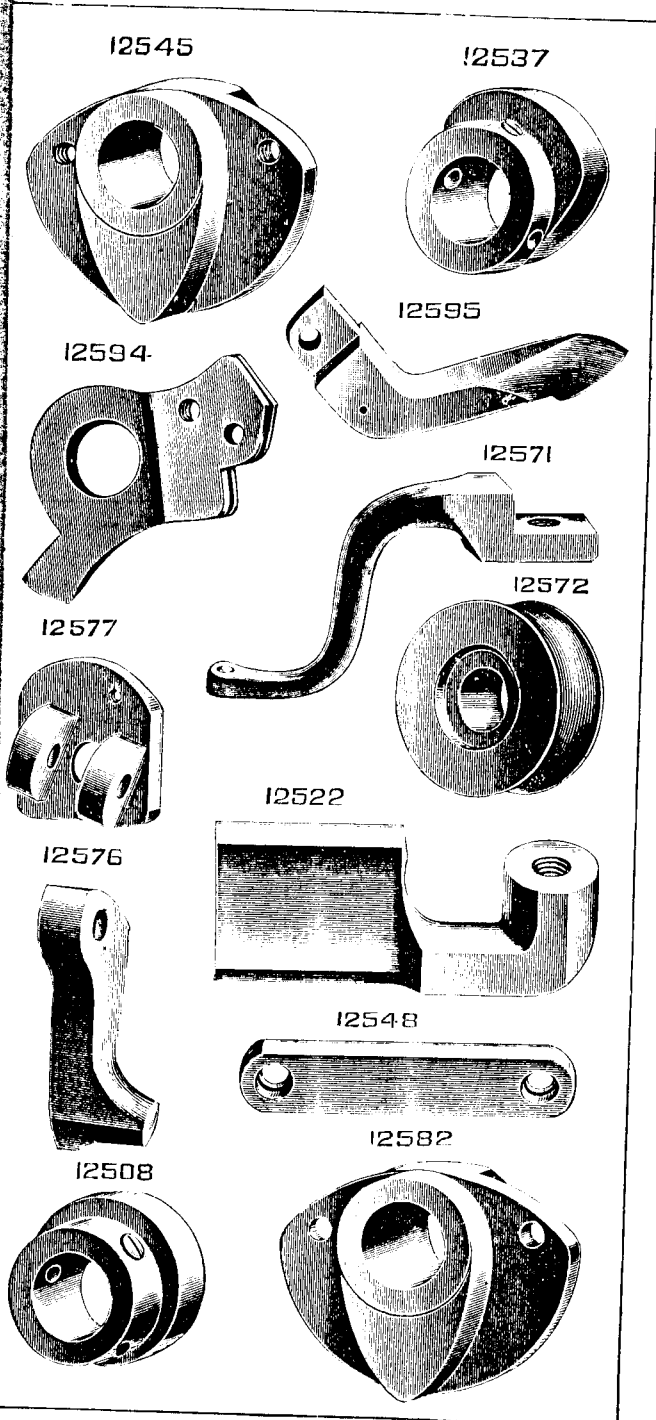


PLATE 1055—FULL SIZE



From the library of: Diamond Needle Corp

PLATE 1056—FULL SIZE

PLATE 1057—FULL SIZE

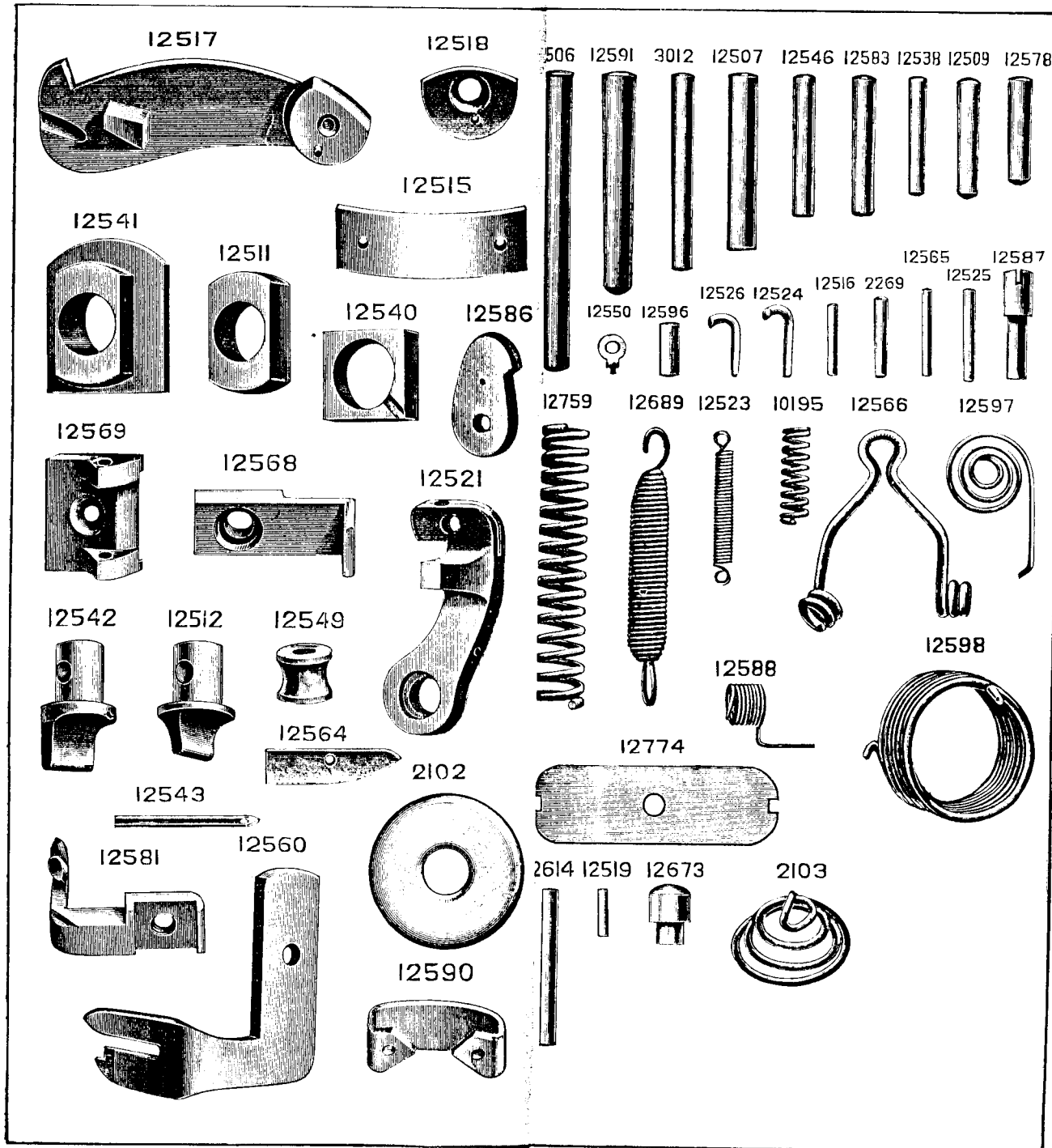


PLATE 1058—FULL SIZE

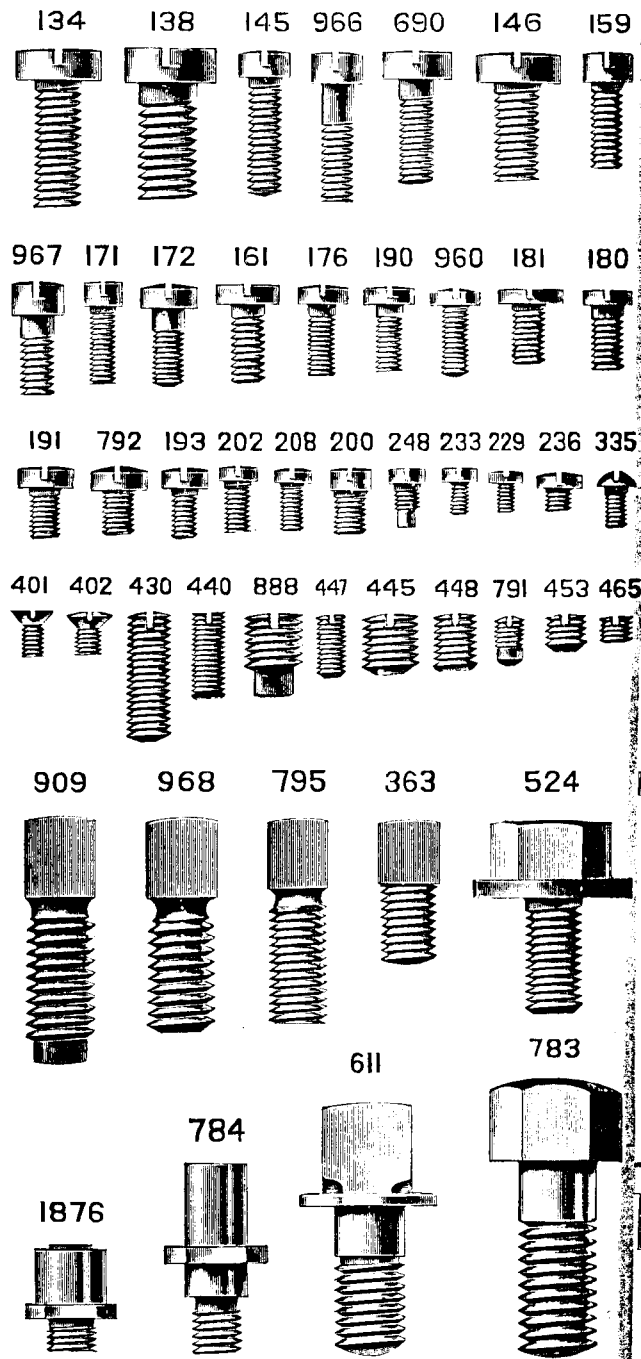


PLATE 1059—FULL SIZE

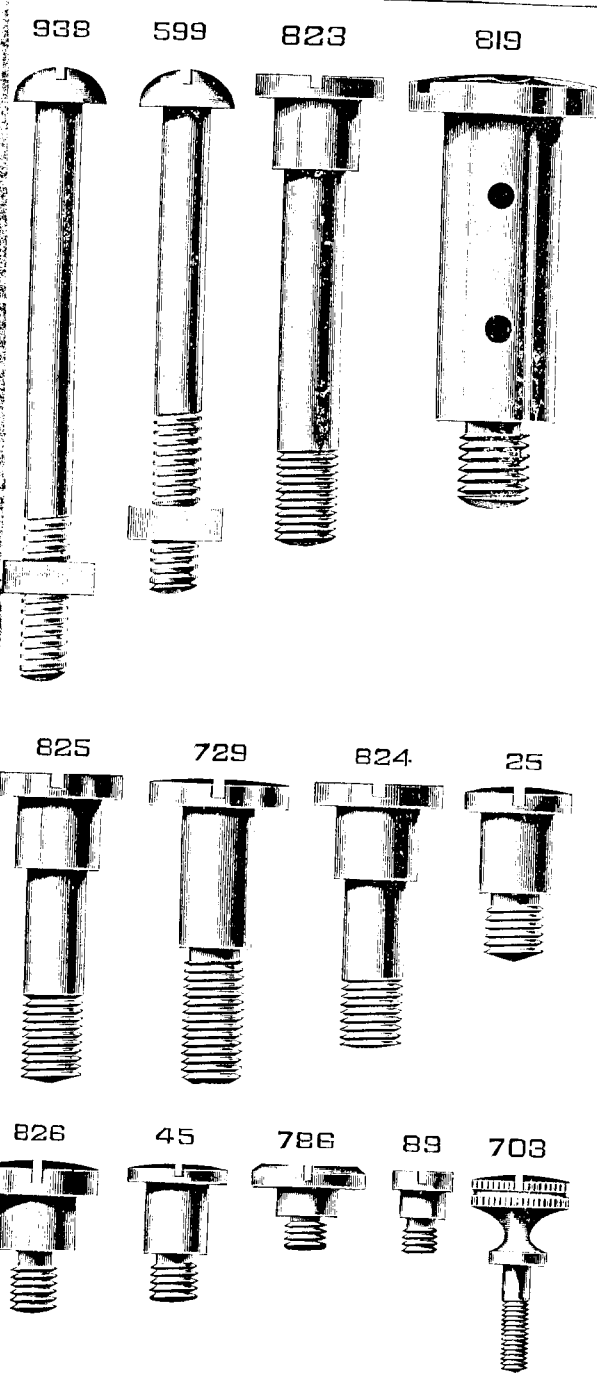


PLATE 1060--FULL SIZE

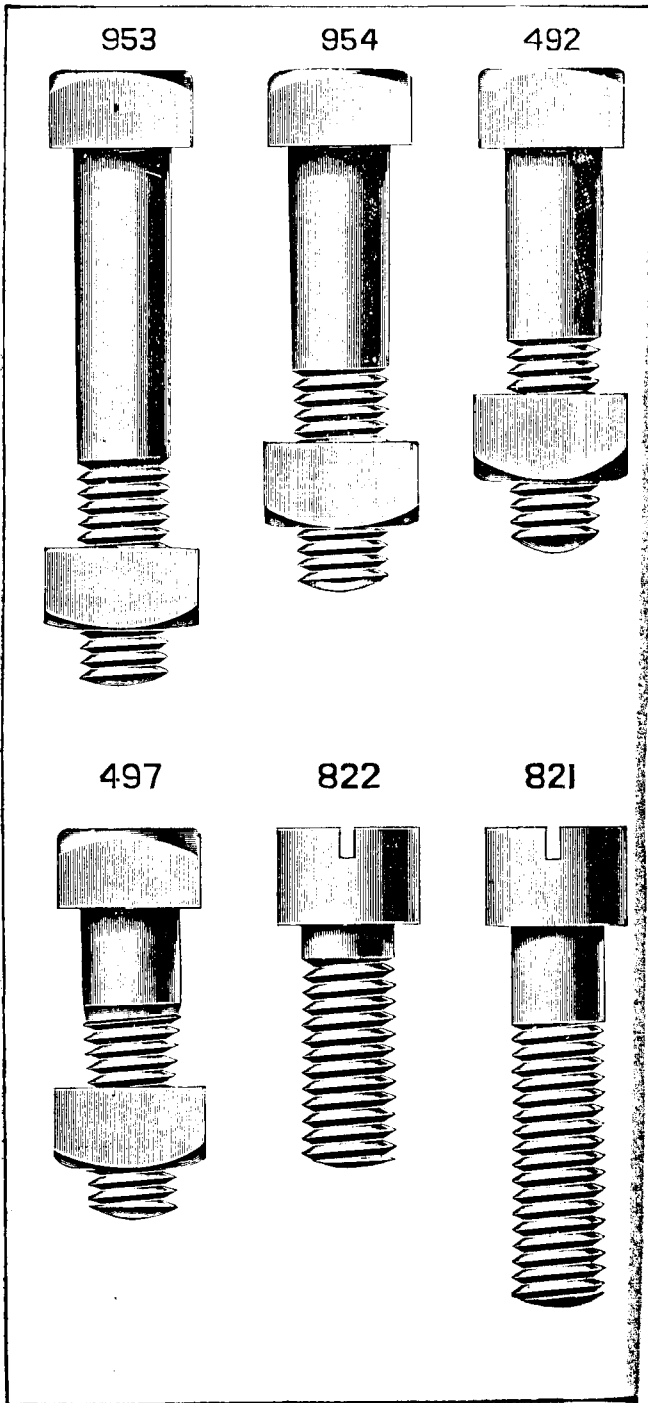


PLATE 1061--FULL SIZE

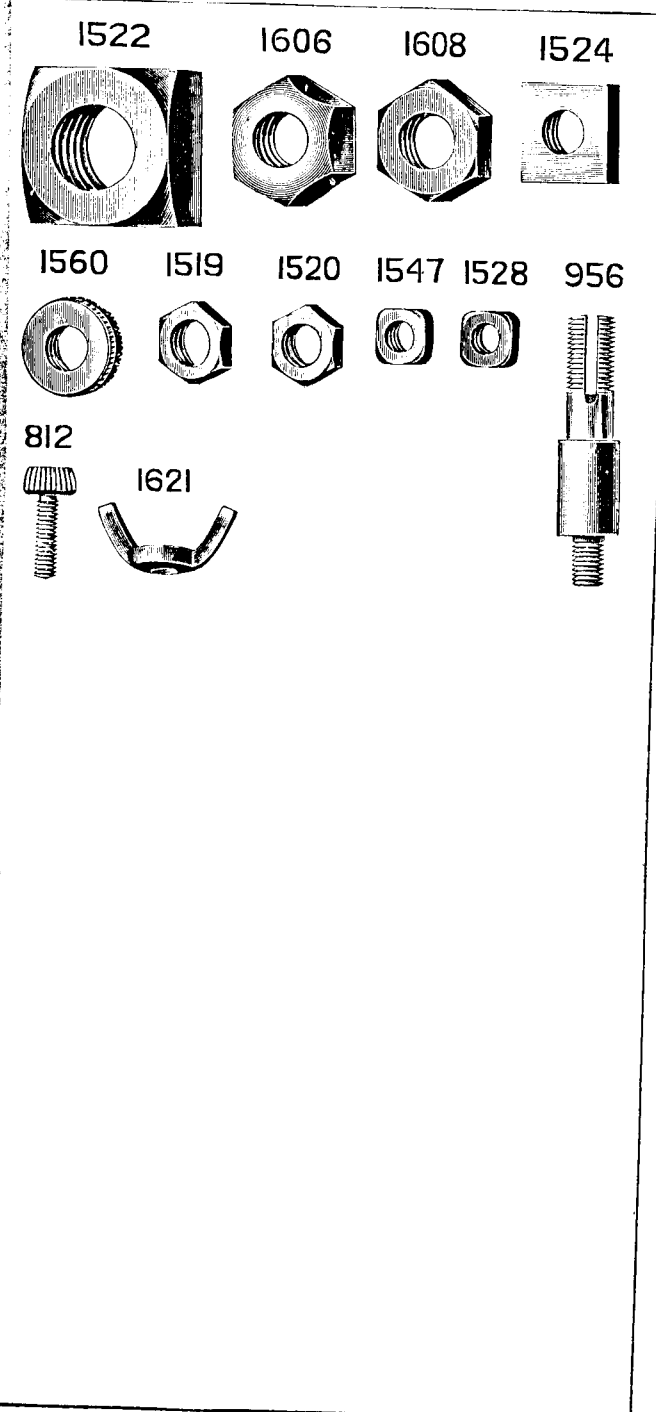
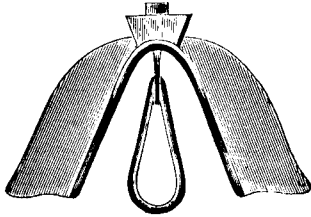
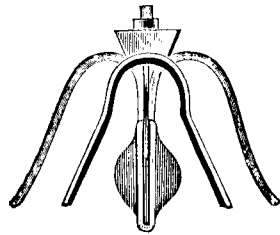


PLATE 1062—FULL SIZE

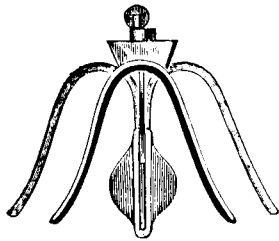
12527



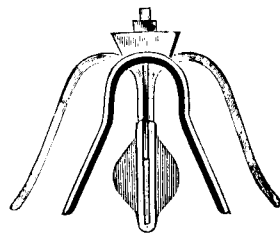
12528



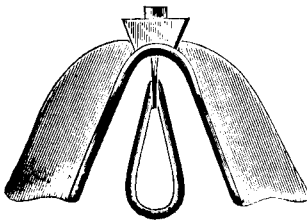
12529



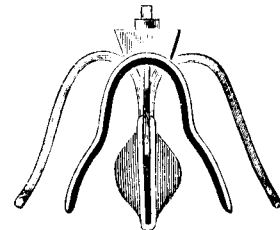
12530



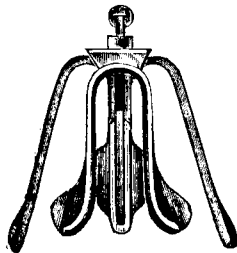
12532



12533



12688



12746

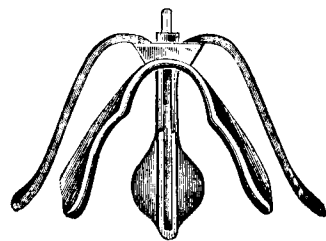
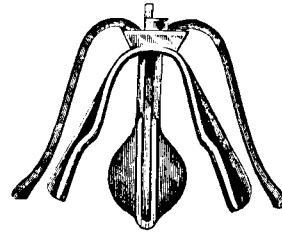
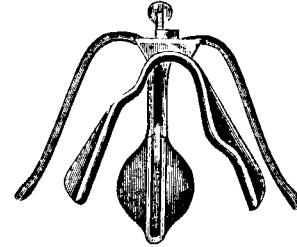


PLATE 1063—FULL SIZE

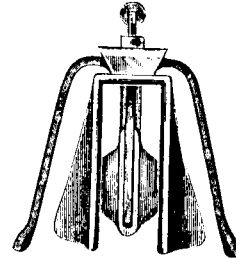
12748



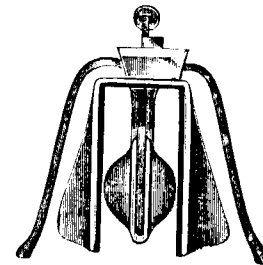
12755



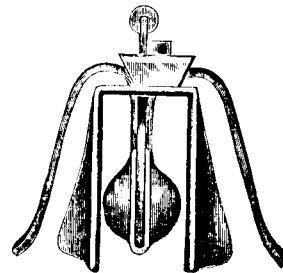
12790



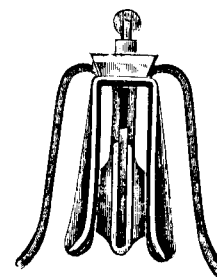
12791



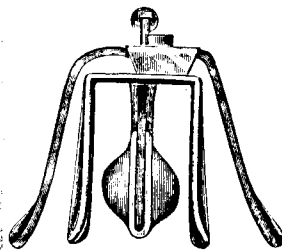
12792



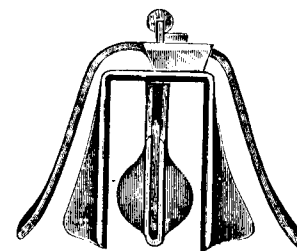
12793



12802



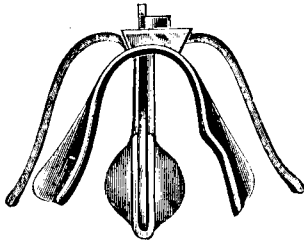
12803



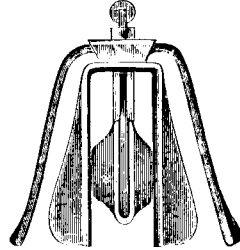
END VIEW OF GUIDES SHOWING EXACT SIZE. END VIEW OF GUIDES SHOWING EXACT SIZE.

PLATE 1064—FULL SIZE

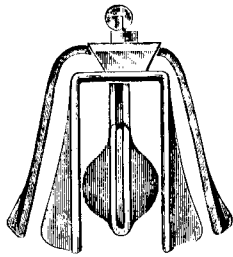
12804



12814



12815



END VIEW OF GUIDES SHOWING EXACT SIZE.

PLATE 1071—FULL SIZE

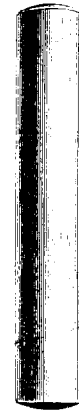
12681



11121



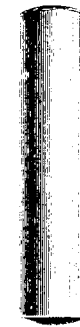
12671



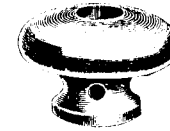
12685



12738



11122



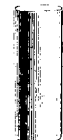
12761



12737



12765 2049



11123



12768



12767



12766



12834



9534



11124



12643



12674



12730



From the Library of Diamond Needle Co.

PLATE 1072—FULL SIZE

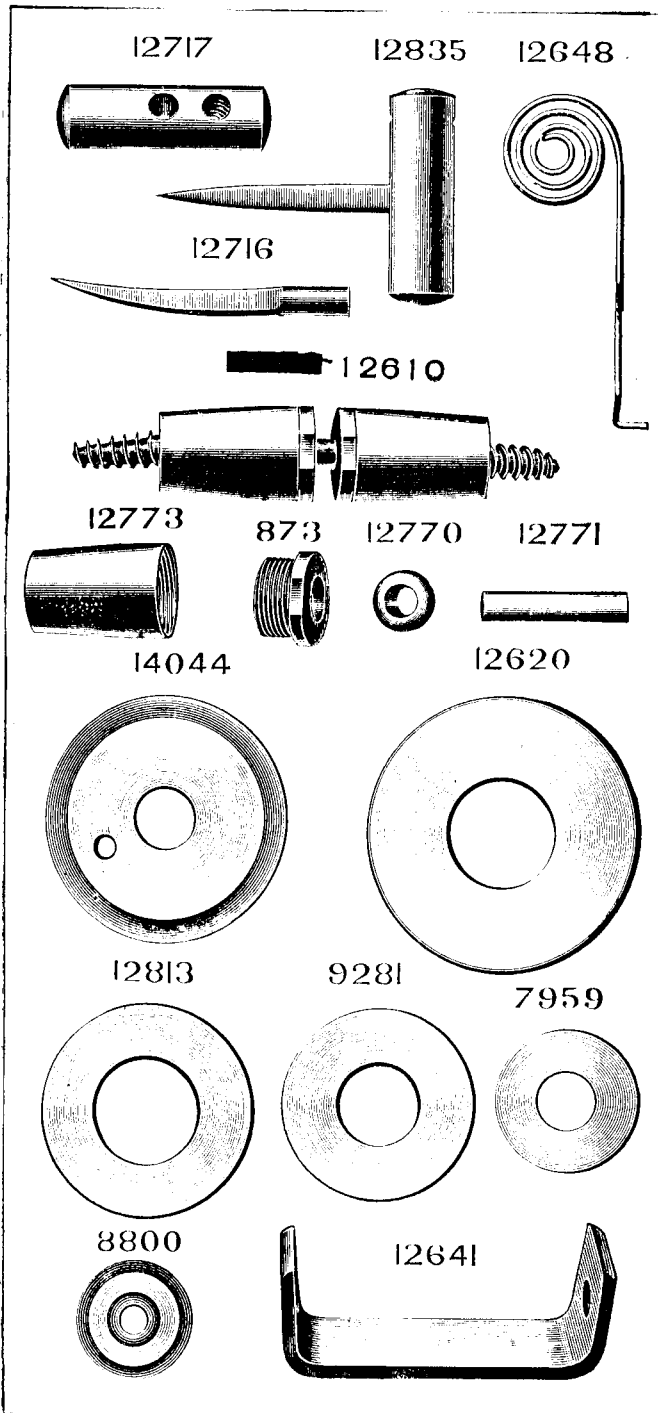
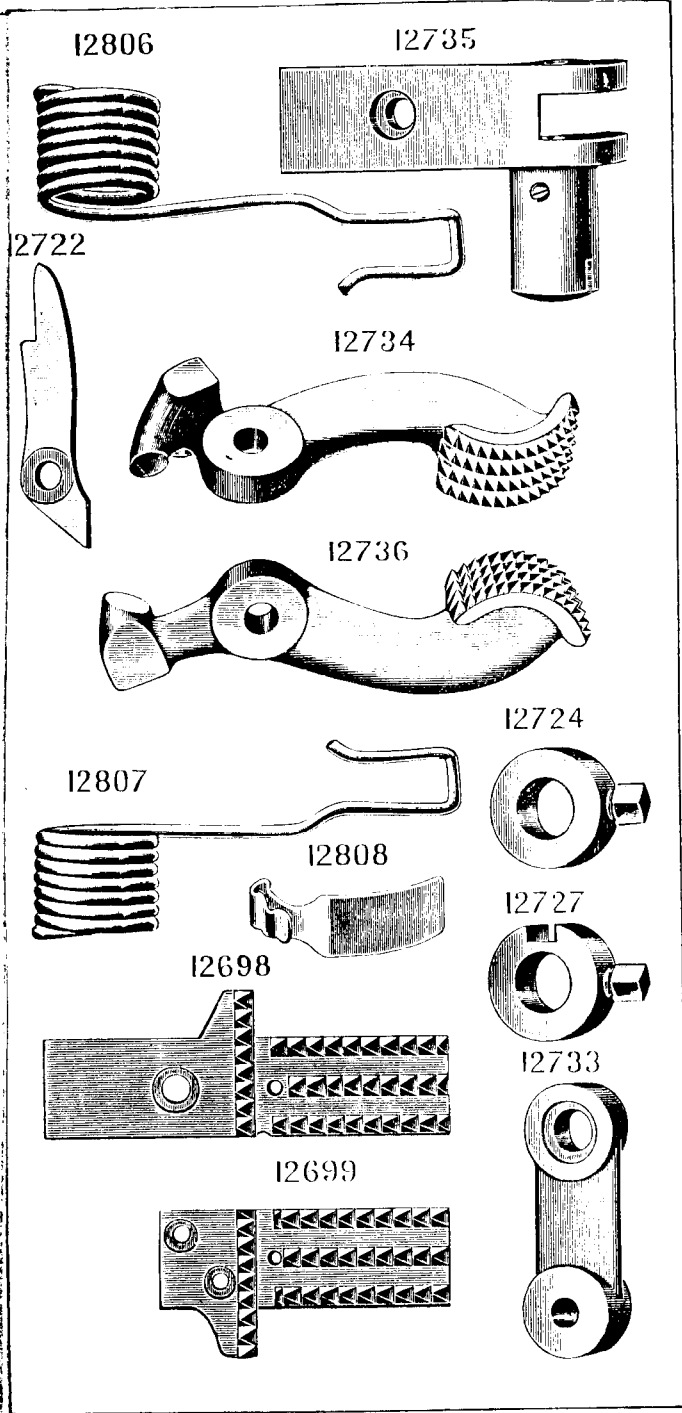


PLATE 1073—ONE-HALF SIZE



From the Library of Congress

PLATE 1074—ONE-HALF SIZE

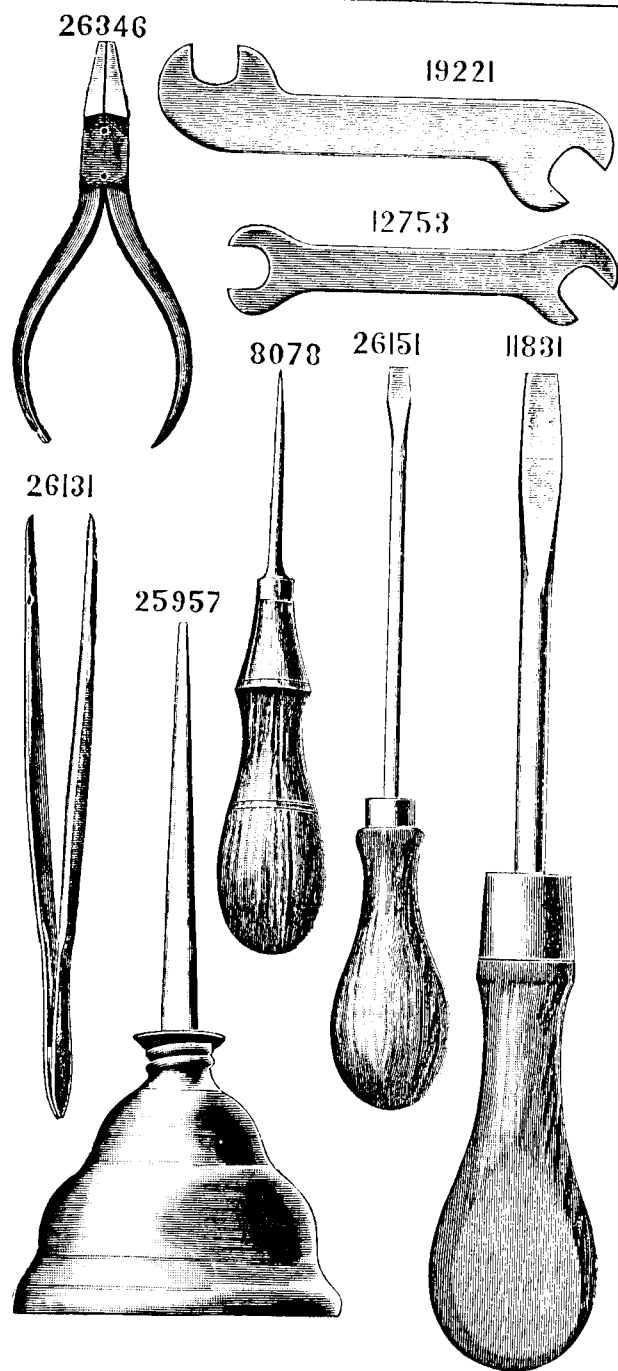
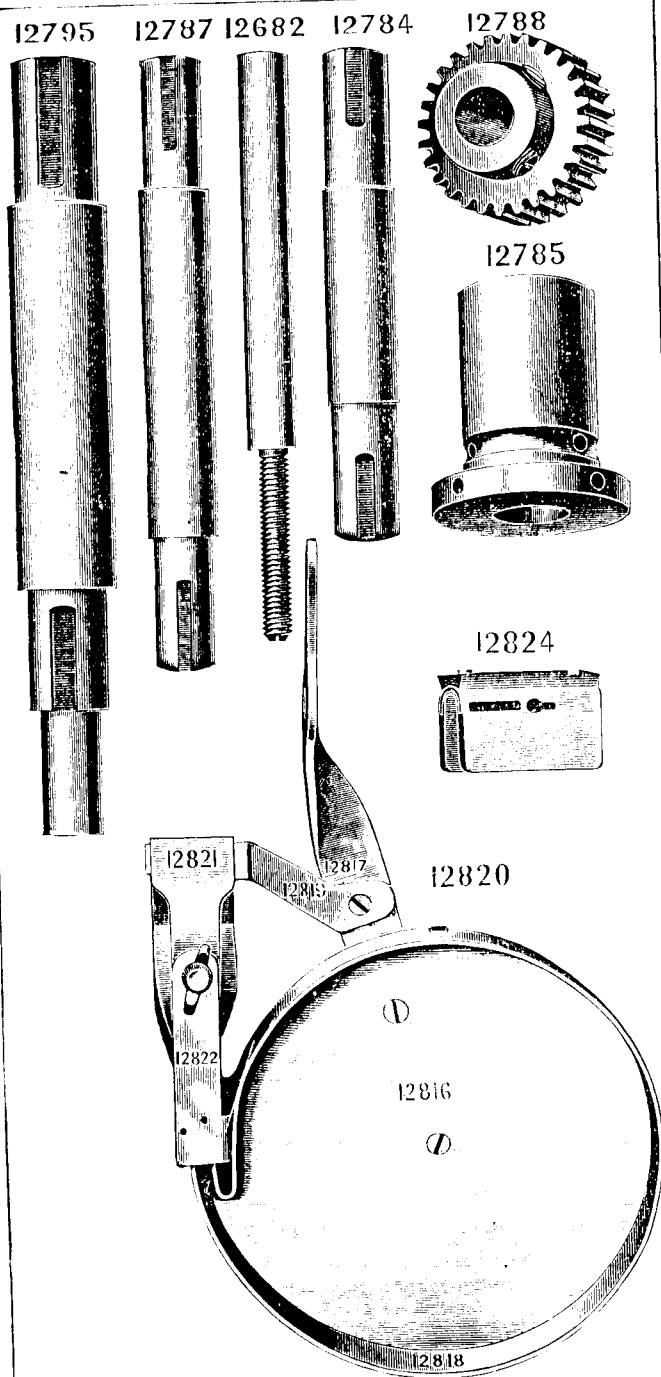


PLATE 1075—ONE-HALF SIZE



From the Library of the Department of Mechanical Engineering

PLATE 1076—ONE-FOURTH SIZE

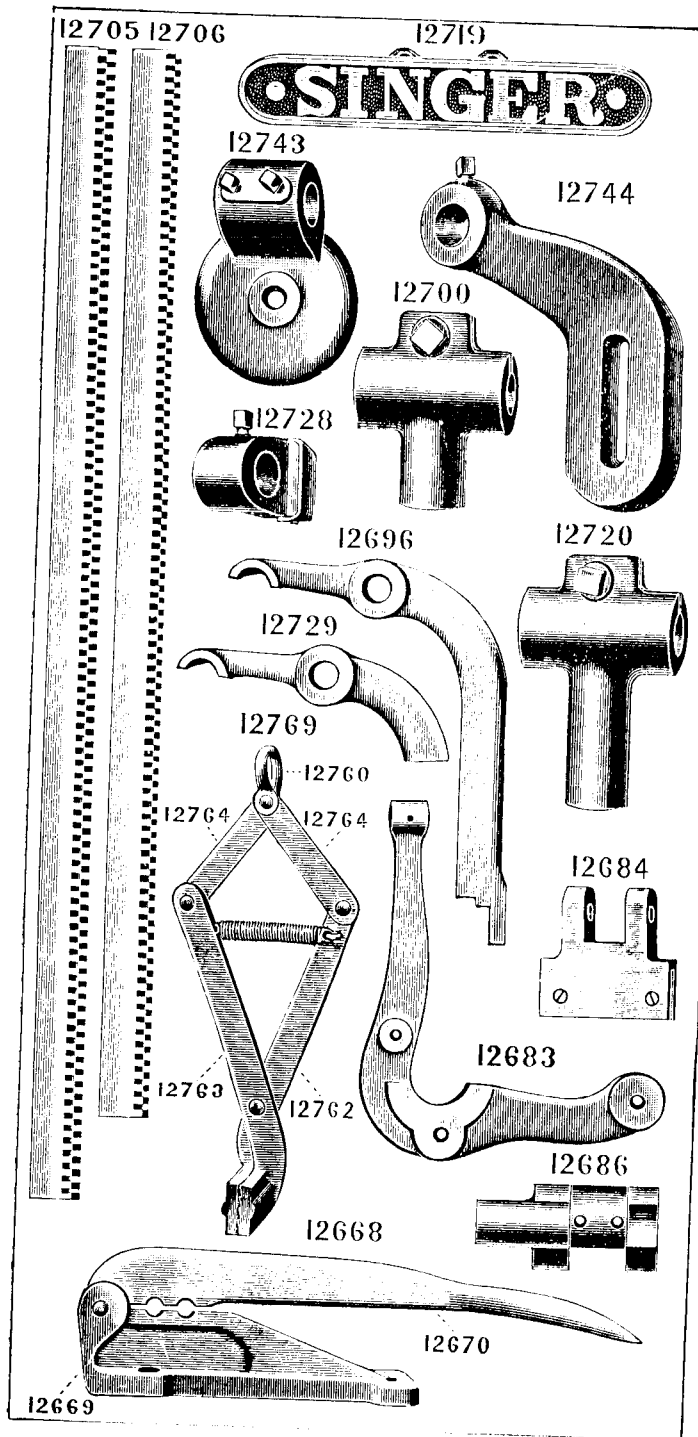


PLATE 1077—ONE-EIGHTH SIZE

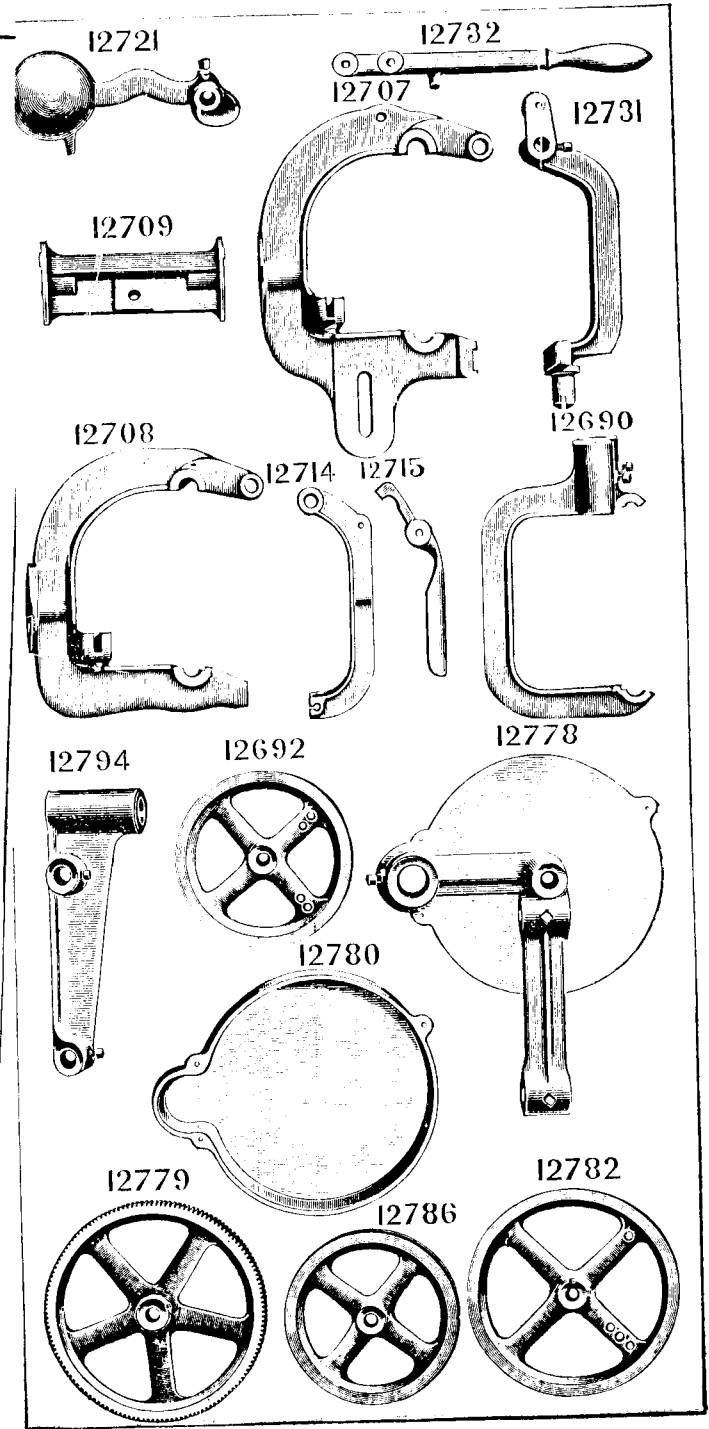


PLATE 1078—ONE-EIGHTH SIZE

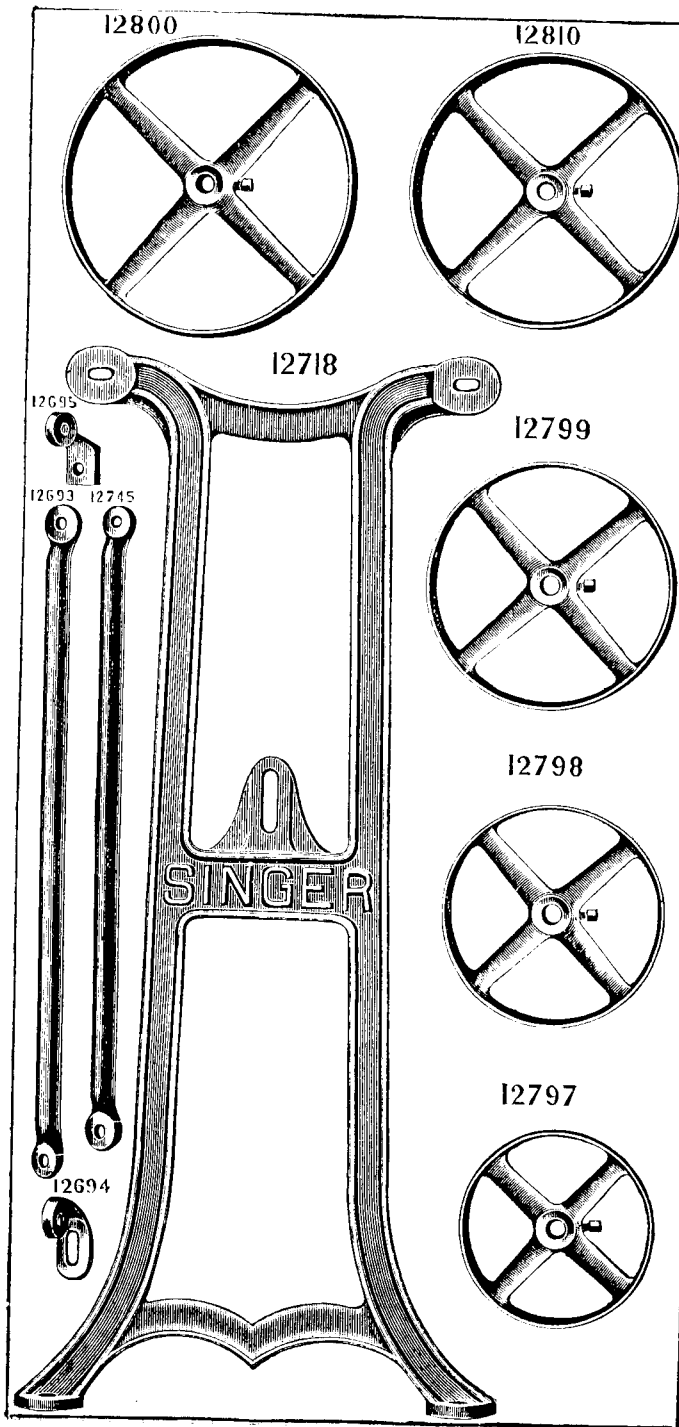
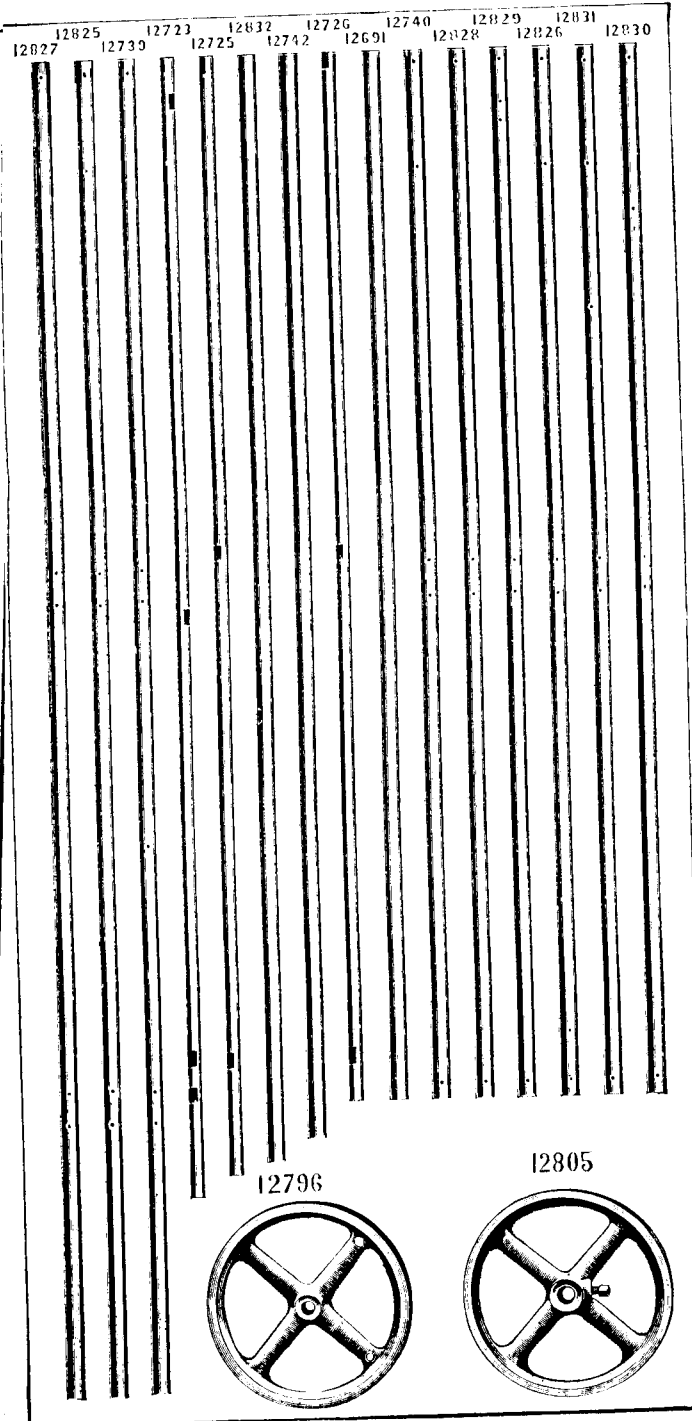
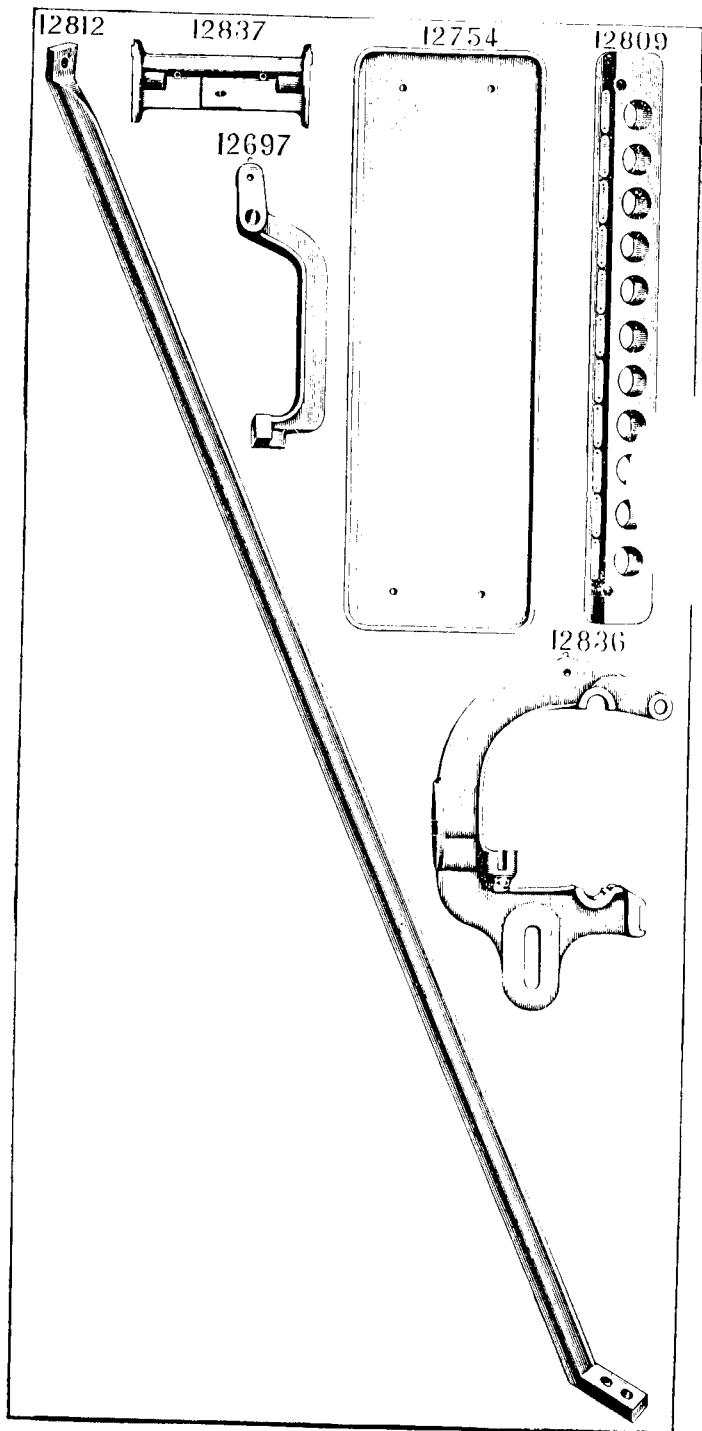


PLATE 1079—ONE-EIGHTH SIZE



Copyright 1900 by Singer Sewing Machine Company

PLATE 1080—ONE-EIGHTH SIZE



From the library of: Diamond Needle Corp